



BUILT-IN & FREE STANDING APPLIANCES



RECOMMENDED BY YOU, MADE BY CANDY.

Innovation is only worthwhile if it benefits users. Candy understands this.
That's why we created domestic appliances that respond to everybody's needs.
How? Simply by listening to people like you.



DESIGNED FOR YOU

Our mission: create high quality products which cater for your needs.

This is why we spend a lot of time talking to our users,
to really understand how to improve your everyday life.

Recommended by you, made by Candy.



70 YEARS OF EXPERIENCE

For over 70 years, we've been developing smart, original domestic appliances.

As a market leader, we know the importance of innovation and are forever
striving to launch ingenious items which have been meticulously fine tuned
to ensure a truly unique user experience.



ITALIAN LIFESTYLE

Our appliances are designed having in mind how much you like spending time
with your friends and family, enjoying a tasty and healthy meal, with fresh, perfectly cooked food. Not forgetting that
you love to wear your favourite designer's clothes, perfectly washed and as bright as the first time you wore them.



OUR HISTORY

Always alert to changing history, Candy is now celebrating 70 years of impressive success built on our philosophy – listening to the people we love: you.

Thanks to our Italian roots, in which design skills meet the creativity that has always belonged to our culture, the domestic appliances we produce never fail to satisfy expectations.



CANDY 70
YEARS

It was 1945 when the first all-Italian washing machine was produced: a Candy.

Since then, we've become an intrinsic part of family life by simplifying the way we carry out day-to-day domestic chores. Over time, our range has broadened to include all household appliances: washing machines, fridges, dishwashers, microwaves and winecoolers. Here at Candy, we're passionate about developing unique, innovative products and exploring untapped areas.

With this spirit we have developed the first washer dryer, the first super slim washing machine, the unique Aquamatic and the most capable dishwasher in standard dimension.

All this because we know you have special needs.

INDEX

FRONT LOADER WASHING MACHINES	15 - 17
DRYERS	18 - 19
FREE STANDING DISHWASHERS	20 - 22
FREE STANDING COOKERS	23 - 25
BUILT IN OVENS	26 - 40
BUILT IN MICROWAVES	41 - 42
BUILT IN HOBS	43 -45
BUILT IN HOBS - VITROCERAMIC	46 - 47
BUILT IN HOBS - GAS HOB	48 - 54
BUILT IN HOBS - CRYSTAL GLASS	55 - 61
BUILT IN HOBS - DOMINO & LATERAL	62 - 67
HOODS	68 - 81
BUILT IN FRIDGE, DISHWASHER, WASHER	82 - 100

simply | Fi[®]

CONNECTED TO YOUR LIFE.



THIS FEATURE IS CURRENTLY NOT AVAILABLE IN THE SAUDI RANGE

OUR STRENGTHS

SIMPLY-FI

Family, friends, work, and passions: it is more and more common for people to organise their lives through a smartphone. Why not use them around the house too? That's how Candy simply-Fi was born, the first complete line of electrical appliances that are always connected via Wi-Fi. Washing machine, fridge, dishwasher, oven, hobs: it's now possible to communicate with them wherever you are - via smartphone or tablet - thanks to the useful, intelligent functionality of the simply-Fi App.



SIMPLY-FI ELITE OVEN

PRE-HEATING

It's possible to activate oven pre-heating when you're out of the house so you can get cooking quicker when you're back.

MENU À LA CARTE

You're provided with assistance in choosing the cooking setting that's most adequate to your needs (chicken, biscuits, bread, pizza...). As well as the pre-saved recipes, it's also possible to create and save personalised cooking settings on the App.

CLEANING TIPS

The App informs you when is the best time to clean the oven, preventing food residue from hardening and becoming more difficult to remove.

INFO SYSTEM

This flags the status and ensures smooth functioning of electrical appliances wherever you are - in case there's a lack of power, for example - and provides practical advice.



SIMPLY-FI INDUCTION HOB

REAL TIME

The App lets you know in real time when the hob is hot, how strong the heat is, how much cooking time is remaining and also alerts you if there is a lack of power.

INFO SYSTEM

This flags the status and ensures smooth functioning of electrical appliances wherever you are and provides practical advice.

OUR STRENGTHS



SIMPLY-FI ELITE COOKER HOOD

SMOKE DETECTOR

The App alerts you to the presence of smoke in the kitchen, allowing you to take action in real time.

INFO SYSTEM

This flags the status and ensures smooth functioning of electrical appliances wherever you are – in case it's time to clean or change the filter, for example – and provides practical advice.

SAFE LIGHT

This enables you to switch on the cooker hood light remotely, which comes in handy at night.

AIR CLEANING

This function can be activated in case you forget to open a window before leaving the house.



SIMPLY-FI EVO SPACE DISHWASHER

MENU À LA CARTE

The App recommends the most appropriate programme according to the load details selected by the user (temperature, cycle duration, dirtiness level...), and can be easily saved. Moreover, the Quick Start function allows you to directly access the last programmes you used.

START DELAY AND TIME REMAINING

This allows you to launch and modify cycle programmes at any time. The App also keeps you constantly up to date on how much time is remaining in the wash.

INFO SYSTEM

This flags the status and ensures smooth functioning of electrical appliances wherever you are – in case you've run out of salt or rinse agent, for example – and provides practical advice.



KRIÓ SUITE

SUPER FREEZING

The App enables you to remotely increase freezing power for a maximum of 34 hours. This is a great feature because, after you've done your shopping, the freezer can be set to the ideal temperature for filling.

SMART COOL

Too often do we forget we've put a bottle of something or other in the freezer. The App will make a noise to let you know when bottles have reached optimum serving temperature.

INFO SYSTEM

This flags the status and ensures smooth functioning of electrical appliances wherever you are – in case you've left the fridge door open, for example – and provides practical advice.

CHILD LOCK

This allows you to lock the display when you're out so that nobody can alter your settings.



GRANDÓ SIMPLY-FI WASHING MACHINE

REFRESH TOUCH

It's no longer necessary to rush to take the laundry out of the washing machine. Once the cycle is complete, the App gives you the possibility to initiate short spin cycles to keep your laundry fresh and fragrant if you're unable to take it out immediately.

MENU À LA CARTE

The App assists you in choosing the washing programme that's best suited to your needs (temperature, cycle duration, dirtiness level, spin, extra rinse, easy iron...). It's also possible to save your preferred washing cycle. What's more, the Quick Start function allows you to directly access the last programmes you used.

START DELAY AND TIME REMAINING

You can launch and modify washing programmes at any time. It's no longer necessary to be at home to keep on top of the laundry. The App keeps you constantly up to date with how much time is left on your cycle.



MAXI CAPACITY

A RANGE OF APPLIANCES WITH BIG IDEAS.



MAXI CAPACITY

Thanks to constant dialogue with its users, Candy has understood that the great obsession of our time is space. For this reason, we've developed a range of domestic appliances that combine high performance with exceptional capacities to help keep you in step with the pace of modern life.



MAXI FRIDGE

STORE ALL FOOD SIZES

Do people prefer a more spacious fridge or one that saves more energy? In order to meet everyone's needs without compromising on energy efficiency and respect for the environment, this range is characterised by increased height and capacity, updated design and soft lines. Because our way of thanking you is simply to listen to what you need.

MAXI CAPACITY

The new KRIÓ SUITE fridge stands 187 cm tall, has been totally renewed to make a perfect bond between design, ergonomics and spaces organization. The new cabinet, the new slimmer features, the removable and deeper shelf and door balconies gives at the same time a perfect space optimization, reaching a total gross capacity OVER 320 liters.

MAXI FLEXIBILITY

The new KRIÓ SUITE brings you more space to organize your food, thanks to the new internal design of the Sky LED and Sky Fan, together with the all-new adjustable drawers and shelves: the need for more flexibility is satisfied with stylish and useful features and will help you take control of your kitchen like never before.



MAXI DISHWASHER

BIG ENOUGH TO FIT THE WHOLE WORLD INSIDE

We all adore cooking for friends and family. Now more than ever, people prefer home-cooked dinners rather than going out to eat. But to show off your culinary skills to big audiences, you need a dishwasher that's ready for anything. Candy understands this. And that's why we've pushed the boundaries even further by creating a dishwasher able to take up to 16 sets of tableware. EvoSpace 16 combines record-breaking capacity with unbeatable washing quality. Thanks to Candy, hand washing up is a thing of the past.

MAXI PLATES

The Maxi Plates system is unique because it gives you the possibility to load and wash even the largest items – up to a record 8 x 34,5 cm plates – without wasting space in the lower XXL basket, which has no fixed grilles. Instead, it's made of a pair of flexible lateral supports plus a three-position central rotator fitted with eight Soft Touch silicone caps to guarantee maximum care for your Maxi Plates – not just the biggest, but also the heaviest and most precious (34.5cm max diameter).

MAXI CAPACITY AND MAXI LOAD FLEXIBILITY

Load possibilities multiply thanks to the combination of the Maxi Plates system and the new Easyclick system, which allows you to adjust the position of the upper section, even when completely full.



MAXI WASHING MACHINE

HIGH LOAD CAPACITY

Thanks to a load capacity of up to 10kg, all families can find the best washing machine to fit their needs. The Candy range is also the best solution for people who do not have the time to do the laundry often, allowing them to wash their clothes only once per week, thanks to the large loading capacity.

MAXI PERFORMANCE

High load capacity means also flexibility: with 10kg washing machine it is possible to wash laundries from 1kg to 10kg, and with MPS⁺ it is also possible to have excellent washing results in less than one hour. High loads doesn't mean high consumptions, indeed all Candy washing machines have the A+++ energy class.

WASHING MACHINES



MORE FLEXIBILITY FOR ALL YOUR NEEDS.

With Candy's new range of washing machines, everyone can find the right model for their needs. Every machine has a range of pre-set washing programs, and the innovative **Mix Power System+** ensures the most efficient rapid wash ever: **a perfect result in just 59 minutes** .

And that's not all. The new doors are the largest and most comfortable on the market, including the **slim version**, the ideal solution if you have limited space but don't want to miss out the **ideal combination between performance and comfort in use**.



PRODUCT CODE: 31006284
EAN CODE: 8016361892958

GV 159THC3-04

GRANDO VITA WASHER 9 KG

- White color - Chromed Door
- 1500 RPM
- Digital Touch Display
- Optimized Consumption According To Loading.
- 16 Special programs: - Rapid 14 min, Rapid 30 min, Rapid 44 min, Baby, Rinse, Drain+Spin, Hand/Silk, Wool, Delicates, Hygiene, Mixed, Jeans, EcoMix 20', Cottons, Whites.
- OPTIONS: Start/Pause, Spin selection, Temperature selection, Delay start upto 24 hours, Stain level, Extra rinse, Options, Easy iron.
- Door Diameter 35cm, 180° door opening
- Dim Product : H x W x D - 85 x 60 x 62 cm
- Dim Packing : H x W x D - 89 x 65 x 65 cm
- INVERTER MOTOR
- 220~240 V, 60 Hz,
- Max Power consumption: 2400 Watts
- Energy Class: A+++



PRODUCT CODE: 31006283
EAN CODE: 8016361892941

GV 137TC3-04

GRANDO VITA WASHER 7 KG

- White Color - Chromed Door
- 1300 RPM
- Digital Touch Display
- Optimized Consumption According To Loading.
- 16 Special Programs: - Rapid 14 min, Rapid 30 min, Rapid 44 min, Baby, Rinse, Drain+Spin, Hand/Silk, Wool, Delicates, Hygiene, Mixed, EcoMix 20', Cottons, Whites.
- OPTIONS: Start/Pause, Spin selection, Temperature selection, Delay start upto 24 hours, Stain level, Extra rinse, Options, Easy iron.
- Door Diameter 35cm -180° door opening
- Dim Product : H x W x D - 85 x 60 x 52 cm
- Dim Packing : H x W x D - 89 x 65 x 56 cm
- DIGITALLY CONTROLLED MOTOR
- 220~240 V, 60 Hz,
- Max Power consumption: 1500 Watts
- Energy Class: A+++



GV 1161D1/1-04

GRANDO VITA WASHER 6 KG

- White Color - White Door
- 1100 RPM,
- Digital
- Optimized Consumption According To Loading
- 16 Special Programs : Rapid 14 min, 30 min, 44 min, Mix&Wash, Whites, Mixed, Jeans, Baby, Hygiene, Rinse, Drain + Spin, Silk, Hand, Wool, Delicates, EcoMix 20°- Cottons .
- OPTIONS: Start/Pause, Spin selection, Temperature selection, Delay start upto 24 hours, Stain level, Extra rinse, Options, Easy iron .
- Door Diameter 35cm, 180° door opening
- Dim Product : H x W x D - 85 x 60 x 52 cm
- Dim Packing : H x W x D - 89 x 65 x 56 cm
- DIGITALLY CONTROLLED MOTOR
- 220~240 V, 60 Hz,
- Max Power consumption: 1500 Watts
- Energy Class: A+

PRODUCT CODE: 31006282
EAN CODE: 8016361892934



GVW 586THC-04

GRANDO VITA WASHER DRYER 8+6 KG

- White Color, Chromed Door
- 1500 RPM, 8 KG Wash + 6 KG Dry
- Touch Display
- Optimized Consumption According To Loading
- 15+1 Special Programs : Perfect Rapid W&D 59 min, Rapid 14 min, Rapid 30 min, Rapid 44 min, Baby, Rinse, Drain+Spin, Hand/Silk, Wool, Delicates, Mixed, Cottons, Whites, EcoMix 20°.
- OPTIONS: Start/Pause, Spin selection, Temperature selection, Delay start, Stain level, Prewash, Hygiene +, Extra rinse, Easy iron, Memory, Night&Day .
- Door Diameter 35cm -180° door opening
- Dim Product : H x W x D - 85 x 60 x 60 cm
- Dim Packing : H x W x D - 89 x 65 x 65 cm
- INVERTER MOTOR
- 220~240 V, 60 Hz,
- Max Power consumption: 1800 Watts
- Energy Class: A

PRODUCT CODE: 31006285
EAN CODE: 8016361892965

DRYERS



THE SMARTEST WATER COLLECTION.

Those looking for the right dryer prioritize **capacity, ease of use and functionality**. Candy knows it and has designed and patented the **EASY CASE, a unique water collection system** that gives full visibility of the water level and maximum ease of emptying. And because size matters, Candy has been the first to introduce a **10kg capacity dryer**, also offering maximum energy efficiency with the Heat Pump versions.



PRODUCT CODE: 31100764
EAN CODE: 8016361916951

GVC D101NB-OS

GRANDO VITA DRYER 10 KG

- Condensed Dryer 10 Kg
- 3D Display
- Transparent Door With Chromed Ring.
- Special Programs : Perfect Home, Store Dry, Hang Dry, Iron Dry, Anti Crease , Wool, Mix & Dry, Shirts, Rapid 40 min, Time, Memo.
- OPTIONS: Start/Pause, Anti-crease , Acrylic Synthetic , Delay Start, Time Selection.
- Dim Product : H x W x D - 85 x 60 x 60 cm
- Dim Packing : H x W x D - 90 x 65 x 62 cm
- 220 ~ 240 V , 60 Hz ,
- Max Power consumption: 1500 Watts
- Energy Class: B



PRODUCT CODE: 31100678
EAN CODE: 8016361892811

GVC 791NB-OS

GRANDO VITA DRYER 9 KG

- Condensed Dryer 9 Kg
- 3D Display
- Transparent Door With Chromed Ring.
- Special Programs : Perfect Home, Store Dry, Hang Dry, Iron Dry, Anti Crease , Wool, Mix & Dry, Shirts, Rapid 40 min, Time, Memo.
- OPTIONS: Start/Pause, Anti-crease , Acrylic Synthetic , Delay Start, Time Selection.
- Dim Product : H x W x D - 85 x 60 x 60 cm
- Dim Packing : H x W x D - 90 x 65 x 62 cm
- 220 ~ 240 V , 60 Hz ,
- Max Power consumption: 2300 Watts
- Energy Class: B



DISHWASHERS

PERFECT COMBINATION OF PERFORMANCE AND SPACE.

Nowadays, dinners out with friends are increasingly being replaced by home-cooked suppers. What is the only challenge? The need to wash lots of plates, fast. Candy understands this, and that's why it has created the new EvoSpace line, the first dishwashers in the world with enough space for 16 place settings in standard dimensions. It's a case of quantity and quality, then, in one standard-size dishwasher: the ideal solution for all modern kitchens.

Maxi



CDPM 1D64W-OS

CDPM 1D64X-OS

EVO SPACE MAXI PLATES DISHWASHER

- 16 Place Settings, 9+1 Programs
- 3 Drawers
- New Digital Display
- 2 Cutlerly Basket
- 10 Liters Water Consumption, Inox Color.
- Special Programs: Hygienic 75°C, Universal 60°C, Ultra Silent 55°C, Rapid 59' 65°C, Ultra Rapid 24' 50°C, Strong & Fast 65°C, Daily 55°C, Delicate 45°C, Refresh, Dishwasher Cleaner
- Options: On/Off, Programme Selection, Delay Start: Max 1~23 Hours,
- Aquastop
- Dim Product : H X W X D , 85 X 60 X 60 Cm
- Dim Packing : H X W X D , 89 X 62.5 X 66.5 Cm
- 220 ~ 240 V , 60 Hz,
- Max Power Consumption: 1950 Watts
- Energy Class: A+, A, A

■ PRODUCT CODE: 32001027
EAN CODE: 8016361920866

□ PRODUCT CODE: 32001026
EAN CODE: 8016361920859



CDP 6753X-OS

EVO SPACE DISHWASHER

- 15 Place Settings, 12 Programs
- 3 Drawers
- New Digital Display
- Cutlery Basket
- 10 liters Water Consumption, Inox Color.
- Special Programs : Hygienic 75°C, Universal + 70°C, Ultra Silent 55°C, Ultra Rapid 60', Intensive 75°C, Universal 60°C, Eco 45°C, Ultra Rapid 24' 50°C, Strong & Fast 65°C, Daily 55°C, Delicate 45°C, Refresh
- Options: On/Off, Programme selection, Delay start: max 9 hours, Start/Reset, Super Eco, All in 1, U Wash.
- Dim Product : H x W x D, 85 x 60 x 60 cm
- Dim Packing : H x W x D, 89 x 62.5 x 66.5 cm
- 220 ~ 240 V, 60 Hz,
- Max Power consumption: 1950 Watts
- Energy Class: A+, A, A

PRODUCT CODE: 32000743
EAN CODE: 8016361849037

PRODUCT CODE: 32000744
EAN CODE: 8016361849044



CDP 6753-OS



CDP 80/1E-OS

EVO SPACE DISHWASHER

- 12 Place Setting - Manual
- 5 PROGRAMS
- 12.5 LITERS WATER CONSUMPTION .
- SPECIAL PROGRAMS : Intensive 70°C, Eco 45°C, Normal 50°C, Rapid 50', Daily 70°C, Pre wash.
- Options: On/Off, Programme selection, Delay start, Start/Reset.
- Dim Product : H x W x D, 85 x 60 x 60 cm
- Dim Packing : H x W x D, 89 x 62.5 x 65 cm
- 220 ~ 240 V, 60 Hz,
- Max Power consumption: 1950 Watts
- Energy Class: A+, A, A

PRODUCT CODE: 32000873
EAN CODE: 8016361849051

PRODUCT CODE: 32000874
EAN CODE: 8016361849068



CDP 80X/E-OS

* New Model will be Available in 13 Place Settings

FREE STANDING COOKERS

THE BEST SOLUTION FOR YOUR COOKING NEEDS.

In each product elegance and functionality merge harmoniously. From the practical knobs to the choice of materials, every detail has been carefully designed to ensure maximum practicality, durability and quality. The modern and essential line makes the freestanding cookers perfectly adaptable to any environment.



PRODUCT CODE: 33001180
EAN CODE: 8016361859159

CCG 9101 SX

90CM COOKER GAS

- 90 X 60 cm 5 gas Burner Cooker
- Flame Failure Device (Safety) on Hob & Oven and Grill
- Gas Oven , Gas Grill
- Burner Pos. 1 Front Right - Rapid 2,8 kW
- Burner Pos. 2 Rear Right - Auxiliary 1 kW
- Burner Pos. 3 Front Center - Triple crowne 4,0 kW
- Burner Pos. 4 Front Left - Semi-Rapid 1,65 kW
- Burner Pos. 5 Rear Left - Rapid 2,8 kW
- Oven Burner - Gas 3,7 kW
- Grill Burner - Gas 2,5 kW
- Glass Lid, Closed Door Grilling , Gas oven/grill - Ignition, Oven and Grill seperate knobs, Rotisserie, Chafing Dish compartment
- Stainless Steel
- Dim Product : H x W x D - 85 x 90 x 60 cm
- Dim Packing : H x W x D - 88 x 93 x 84 cm
- 220 ~ 240 V , 60 Hz ,



PRODUCT CODE: 33001181
EAN CODE: 8016361859166

CCM 9101 SX

90CM COOKER MIXED

- 90 X 60 cm 4 gas Burner + 2 Hotplate Cooker
- Flame Failure Device (Safety) on Hob
- Electric Oven , Electric Grill
- Burner Pos. 1 Front Right - Rapid 2,8 kW
- Burner Pos. 2 Rear Right - Auxiliary 1 kW
- Electric Hot Plate Pos. 3 Front Center - 2,0 kW
- Electric Hot Plate Pos. 4 Rear Center - 1,5 kW
- Burner Pos. 5 Front Left - Semi-Rapid 1,65 kW
- Burner Pos. 6 Rear Left - Rapid 2,8 kW
- Electric Static Oven - 1,6 kW
- Electric Grill - 2,5 kW
- Glass Lid, Closed Door Grilling , Oven and Grill seperate knobs, Rotisserie, Chafing Dish compartment
- Stainless Steel
- Dim Product : H x W x D - 85 x 90 x 60 cm
- Dim Packing : H x W x D - 88 x 93 x 84 cm
- Max Power: 6,4 kW
- 220 ~ 240 V , 60 Hz ,



PRODUCT CODE: 33001049
EAN CODE: 8016361811522

CEE 6620 W

60CM COOKER ELECTRIC

- 60 X 60 cm 4 Hotplate Cooker
- Electric Oven , electric Grill
- Electric Hot Plate Pos 1 Front Right - Dim: 145mm 1,5 kW
- Electric Hot Plate Pos. 2 Rear Right - Dim: 180mm 2,0 kW
- Electric Hot Plate Pos. 3 Front Left - Dim: 180mm 2,0 kW
- Electric Hot Plate Pos. 4 Rear Left - Dim: 145mm 1,5 kW
- Electric Oven - 1 kW
- Electric Grill - 1,0 kW + 1,5 kW
- Dim Product : H x W x D - 85 x 60 x 60 cm
- Dim Packing : H x W x D - 91 x 66 x 68,5 cm
- Max Power: 9,9 kW
- 220 ~ 240 V , 60 Hz ,



PRODUCT CODE: 33001177
EAN CODE: 8016361858701

CCE 5503 W

50X60CM COOKER ELECTRIC

- 50 X 60 cm 4 Hotplate Cooker
- Electric Oven , electric Grill
- Electric Hot Plate Pos 1 Front Right - Dim: 145mm 1,0 kW
- Electric Hot Plate Pos. 2 Rear Right - Dim: 180mm 1,5 kW
- Electric Hot Plate Pos. 3 Front Left - Dim: 180mm 1,5 kW
- Electric Hot Plate Pos. 4 Rear Left - Dim: 145mm 1,0 kW
- Electric Oven - 1 kW
- Electric Grill - 0,8 kW + 1,0 kW
- Dim Product : H x W x D - 85 x 50 x 60 cm
- Dim Packing : H x W x D - 88,5 x 57 x 65,5 cm
- Max Power: 6,8 kW
- 220 ~ 240 V , 60 Hz

BUILT IN OVEN



THE PLEASURE OF COOKING HAS BECOME SIMPLE

Candy has always been committed to making the kitchen a friendly yet inspiring place; a place where creativity, warmth, technology and design come together to create positive emotions.

The new collections of candy ovens create an extraordinary synthesis between design and function, well-being and taste.

The different design lines express the multiple personality of the brand, from more traditional and classic lines and to the stunning modernity of the new elite collection.

Characterized by candy's advance technological excellence, the new maxi oven is available in a variety of sizes up to a large 79 liters capacity and provides perfect cooking conditions for all types of recipes. The unique u -see lighting system, soft cook system and other exclusive features, including the many important safety features, as well as a focus on energy savings and easy to clean interiors demonstrates that candy really understands how to make every kitchen a unique place.

U-SEE

U-SEE is a new Candy patented lighting system that replaces traditional incandescent lights with LED lights. Fourteen top quality white LED light are positioned inside the tempered glass oven door. These lights beautifully illuminate the oven interior allowing you see how your cooking is progressing. The U-SEE system offers reliable, long-lasting performance and extremely low energy consumption (95% less than traditional oven lighting systems).



TOUCH CONTROL

The touch control timer is functional and intuitive, providing instant cooking information. It allows you to quickly and easily set the cooking start and end time. Outstanding technological innovation and easy to use features combine to create a very high quality product.

TIME COOKING

The new Touch control display allows you to set all of the functions related to the cooking time in just a few minutes: Timer, duration and end of cooking time. Once set the oven programme timer will beep at the end of the preset time. When using the end of cooking timer you can pre-set the time at which the oven will automatically switch off, allowing a delayed start or advanced planning.



TELESCOPIC SHELVES

Telescopic shelves mean that shelves and trays can be pulled out safely.

PYROLYTIC CLEANING

The pyrolytic cleaning cycle removes all grease and food deposits from the oven interior and heats up to 500° C. When the cleaning cycle ends, simply wipe the oven cavity with a damp cloth for a perfectly clean oven, that is ready to use time after time. The cold door technology guarantees complete safety for users.



CATALYTIC PANELS

These interior liners are coated with a special micro-porous enamel which traps the grease preventing it from being absorbed into the liner, so that grease deposits can be burned off when the oven is in use. Any remaining residues can be easily wiped off with a cloth. ..

AQUACTIVA CLEANING

Through the action of steam, this new system allows you to easily remove greasy residues from the oven. Simply pour 300 ml of distilled water in the recess at the bottom of the oven and select the Aquactiva option - this cycle will heat for 30 minutes at 90 degrees. Once the oven is cold, simply wipe down with a damp cloth to remove any remaining deposits.



A CLASS CLEAN

As A Class Clean enamel is completely smooth and non-porous, it prevents dirt and grease from sticking to the oven interior and facilitates easy cleaning. A Class Clean enamel repels vegetable oils and acids released from fruit during the cooking and baking process as well as other high sugar content foods.

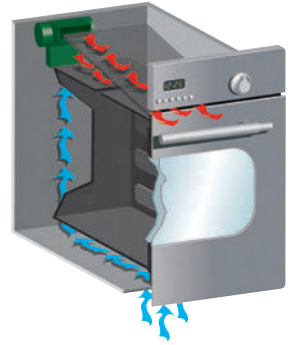
STAINLESS STEEL NO SUMDGES

The stainless steel used on Candy ovens is coated with a special anti-finger print treatment that helps to maintain the appearance of the oven so that it looks and feels as good as new.



TANGENTIAL COOLING VENTILATION

Hot air release is controlled by an enhanced tangential fan that helps to keep the door temperature constant. Cold air is conducted from the bottom of the oven to the top, creating a constant flow of air, which maintains a constant temperature and is directed towards the upper part of the door.



GRILL

The new grill has been repositioned inside the upper part of the oven, which allows a lower heat dispersion and a rapid and more homogeneous cooking result. In addition, the concealed grill element ensures even greater safety when inserting baking trays.

INNER GLASS DOOR

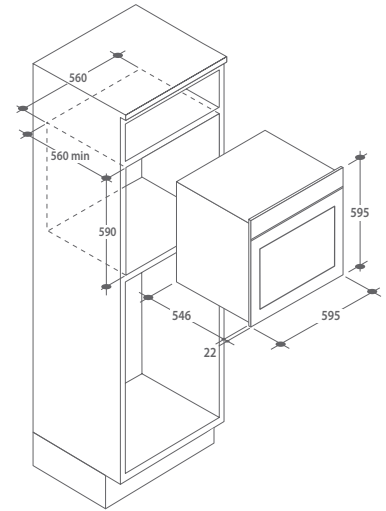
The new glass inner door has an average temperature of just 55°C while inside the oven it is 200°C. The fact that the whole glass surface has no visible screws makes it simple and easy to clean.



ANTI TILT SHELVES

The new design and new shape of the anti-tilt shelves allows for perfect stability during cooking and also when removing. Dishes from the oven.

Maxi



OVEN

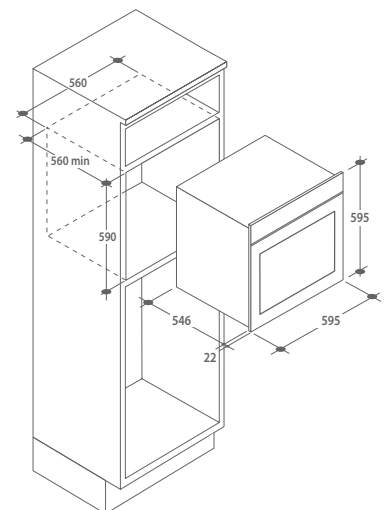
FXE 629 X

DIGITAL FAN ASSISTED ELECTRIC OVEN

- Maxi cavity 78 Litres
- 9 Functions ("Pizza" Function)
- SoftCook
- Digital touch control with Timer and end of cooking
- Fan Assisted, Tangential cooling
- High finitures
- 1 Grid, 2 Trays, Lateral wire grids
- Telescopic guide ,Total power 2,1 Kw
- Soft close

PRODUCT CODE: 33701273
EAN CODE: 8016361878952

Maxi



FXE 623 X

ELECTRIC MULTIFUNCTION OVEN

- Maxi Cavity 78 Ltrs
- 9 Functions
- Timer with cooking end
- 2 Grids, 2 Bake Pans, Lateral wire Grid Sctions
- Tangential Fan Cooling 9 Function
- Soft-Close, Total power 2,1 Kw

PRODUCT CODE: 33701272
EAN CODE: 8016361878945

POP EVO 60CM

Maxi



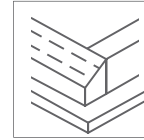
MAXI OVEN



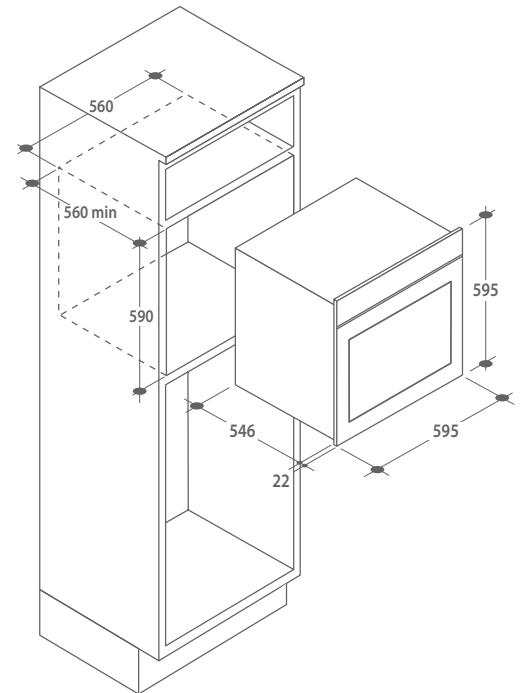
ENERGY CLASS



LED U-SEE



INNER GLASS DOOR



FXP 825 VX

ELECTRIC MULTIFUNCTION OVEN -DIGITAL

- Maxi Cavity 78 Ltrs
- 10 Functions
- Display LCD
- Tangential Fan Cooling
- Fan Assited
- Telescopic Guides
- Timer with end of cooking - Audible warning
- 2 Grids, 1 Tray, Lateral wire Grids
- U-SEE, Total power 2,1 Kw

PRODUCT CODE: 33700979
EAN CODE: 8016361837096

POP EVO 60CM

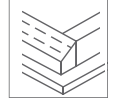
Maxi



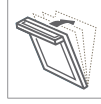
MAXI OVEN



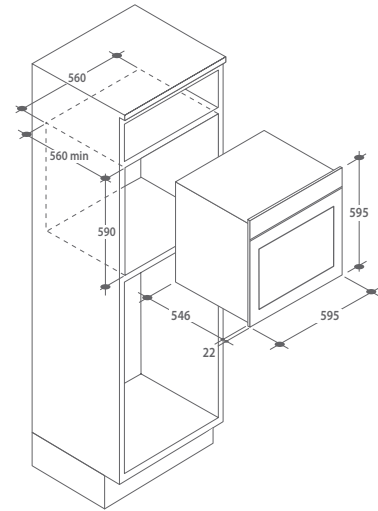
ENERGY CLASS



INNER GLA SS DOOR



SOFT CLOSE



OVEN

FXP 609 X

ELECTRIC MULTIFUNCTION OVEN -DIGITAL

- Maxi Cavity 78 Ltrs
- 8 Functions
- Electronic Programs -DIGITAL touch control
- Tangential Fan Cooling,

- Fan Assisted, Total power 2,1 Kw
- Soft-close: 2 Grids, 2 Pans, Lateral wire Grid s

PRODUCT CODE: 33701087
EAN CODE: 8016361859869

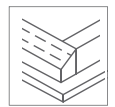
Maxi



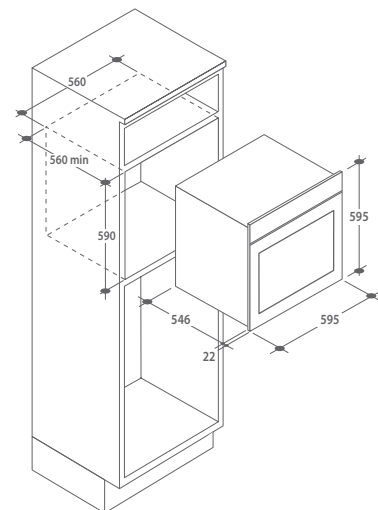
MAXI OVEN



ENERGY CLASS



INNER GLA SS DOOR



FXP 623 X

ELECTRIC MULTIFUNCTION OVEN

- Maxi Cavity 78 Ltrs
- 8 Functions
- Tangential Fan Cooling
- Fan Assisted, Total power 2,1 Kw

- Timer with end of cooking - Audible warning
- 2 Grids, 2 Bake Pans, Lateral wire Grids

PRODUCT CODE: 33700976
EAN CODE: 8016361878945

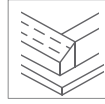
POP EVO 60CM



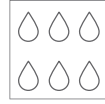
ENERGY CLASS



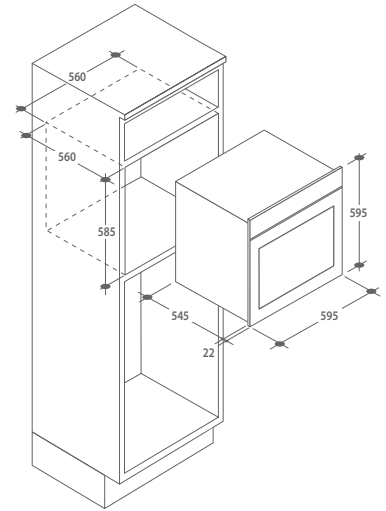
LED U-SEE



INNER GLASS DOOR



AQUACTIVA



FVPE 729/6 X

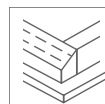
ELECTRIC MULTIFUNCTION OVEN -DIGITAL

- 8 Functions (" Pizza")
- VarioFan
- Electronic Program -DIGITAL Touch Control
- Fan Assisted
- Rapid Grill
- 1 Grid, 1 Tray, Telescopic Guide, Lateral wire Grids
- Tangential Fan Cooling
- Volume 69 Ltrs
- Max Power: 2,1 kW
- Demo Mode
- Aquactiva
- U-SEE

PRODUCT CODE: 33701291
EAN CODE: 8016361879133



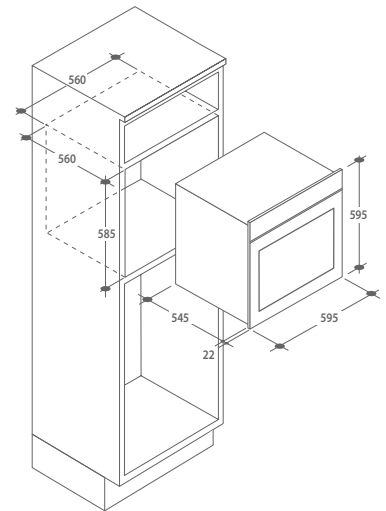
ENERGY CLASS



INNER GLASS DOOR



COOK LIGHT



FPE 609A/6 X

ELECTRIC MULTIFUNCTION OVEN

- 8 Functions (" Pizza")
- Electronic Program Touch Control Timer/end cooking
- Fan Assisted
- 2 Grids, 1 Tray
- Tangential Fan Cooling
- A Class Clean
- Volume 65 Ltrs
- Max Power: 2,1 kW
- Cook Light

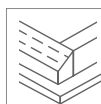
PRODUCT CODE: 33701483
EAN CODE: 8016361897762

POP EVO 60CM

OVEN



ENERGY CLASS



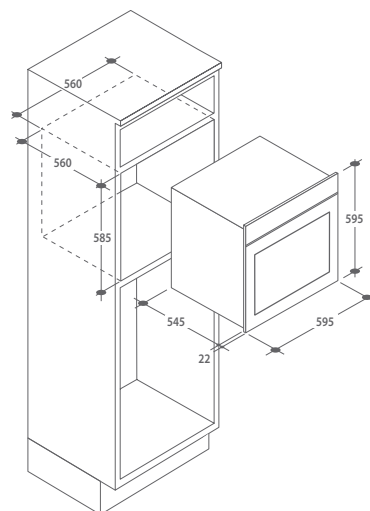
INNER GLASS DOOR



COOK LIGHT



FPE 602A/6 N



FPE 602A/6 X

ELECTRIC MULTIFUNCTION OVEN

- 8 Function (" Pizza")
- Timer with Audible signal
- Fan Assisted
- 2 Grids, 1 Tray
- Tangential Fan Cooling

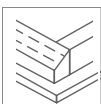
- A Class Clean
- Volume 65 Ltrs
- Max Power: 2,1 kW
- Cook light

PRODUCT CODE: 33701479
EAN CODE:

PRODUCT CODE: 33701480
EAN CODE:



ENERGY CLASS



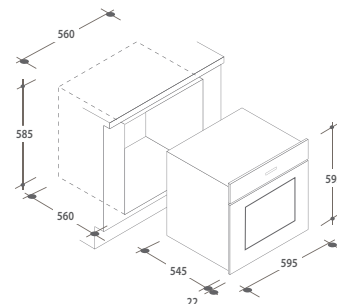
INNER GLASS DOOR



FPE 502/6 N



FPE 602A/6 W



FPE 502/6 X

ELECTRIC MULTIFUNCTION OVEN

- 5 Functions
- Timer with Audible signal
- Fan Assisted
- 2 Grids, 1 Tray
- A Class Clean

- Volume 65 Ltrs
- Max Power: 2,1 kW
- EAN: 8016361876675

PRODUCT CODE: 33701246
EAN CODE:8016361876675

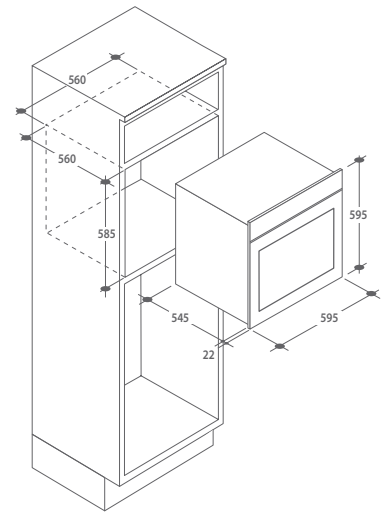
PRODUCT CODE: 33701247
EAN CODE:8016361876682

PRODUCT CODE: 33701248
EAN CODE:8016361876699

SMART 60CM



ENERGY CLASS



FST 249/6 X

ELECTRIC OVEN - STATIC , 5 FUNCTIONS

- Double Glazed mirror effect Door
- Grill with Thermostat
- 1 Grid, 1 Tray
- A Class Clean
- Touch Timer, Turnspit
- Tangential Fan Cooling
- Catalytic Panels

- Volume 65 Ltrs
- Max Power: 2,1 kW

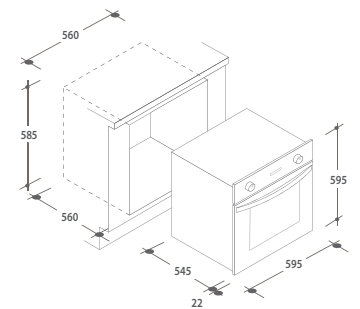
■ PRODUCT CODE: 33701286
EAN CODE: 8016361879089

■ PRODUCT CODE: 33701288
EAN CODE: 8016361879102

□ PRODUCT CODE: 33701287
EAN CODE: 8016361879096



ENERGY CLASS



FST 100/6 N

FST 100/6 W

FST 100/6 X

ELECTRIC OVEN - STATIC - 4 FUNCTIONS - 60CM

- Double Glazed mirror effect Door
- Grill with Thermostat
- 1 Grid, 1 Tray
- A Class Clean
- Volume 65 Ltrs
- Max Power: 2,1 kW

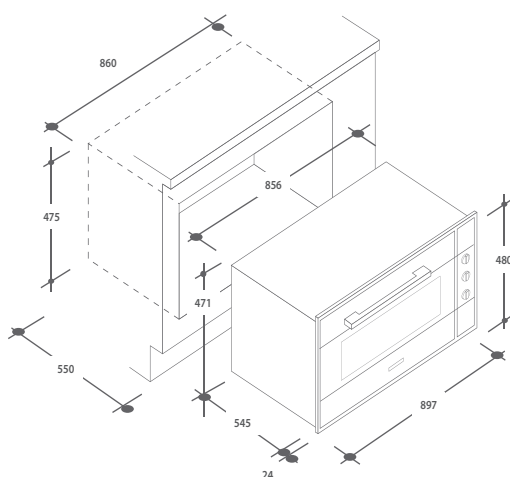
■ PRODUCT CODE: 33701180
EAN CODE: 8016361869738

■ PRODUCT CODE: 33701282
EAN CODE: 8016361879041

□ PRODUCT CODE: 33701283
EAN CODE: 8016361879058

MULTI FUNCTION 90CM

OVEN



ENERGY
CLASS

FNP 319/1 X

ELECTRIC MULTIFUNCTION - 90CM

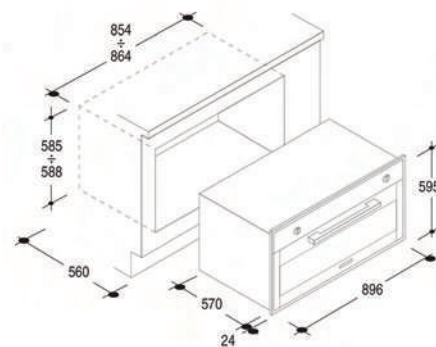
- 10 Functions
- 120' Minute End cooking timer
- Triple Glass Door
- Electric Grill
- Turnspit, Max Power: 3,5 kW
- 1 Grid, 2 Tray
- Tangential Fan Cooling
- Volume 93 Ltrs

PRODUCT CODE: 33701064
EAN CODE: 8016361858107

GAS 90CM



ENERGY CLASS

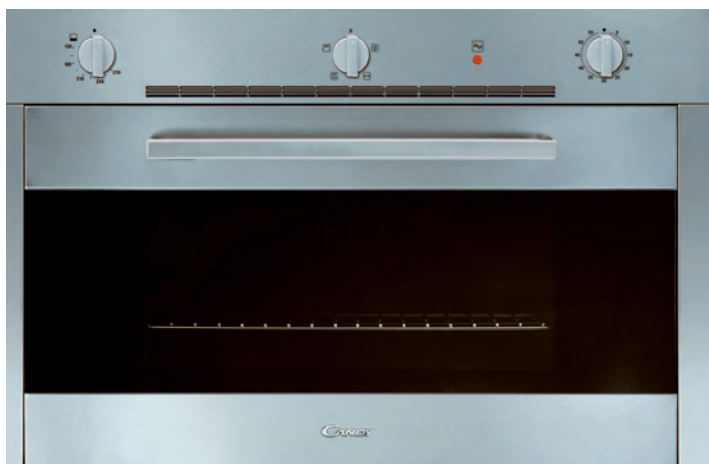


FPG 2019/1 XG

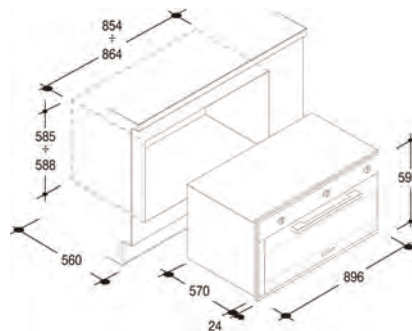
GAS OVEN / GAS GRILL - 4 FUNCTIONS

- Auto Ignition
- Electronic Display
- Double Glass Door
- Gas Grill
- Turnspit
- 1 Grid, 1 Tray
- Tangential Fan Cooling
- Volume 93 Ltrs

PRODUCT CODE: 33701071
EAN CODE: 8016361858343



ENERGY CLASS



FPG 390/1 X

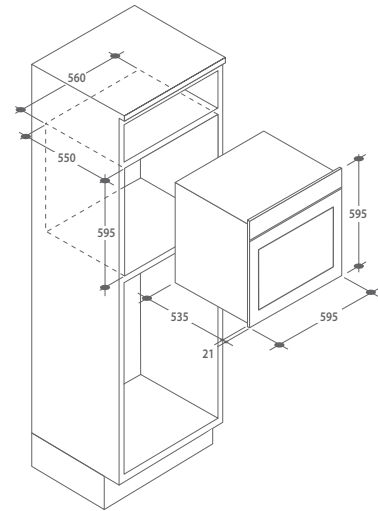
GAS OVEN / ELECTRIC GRILL - 5 FUNCTIONS

- Auto Ignition
- 60' Minute Minder
- Double Glass Door
- Electric Grill
- Turnspit, Max Power 1,8 kW
- 2 Grid, 2 Tray
- Tangential Fan Cooling
- Volume 93 Ltrs

PRODUCT CODE: 33701067
EAN CODE: 8016361858282



ENERGY CLASS



FPG 202/1 XG

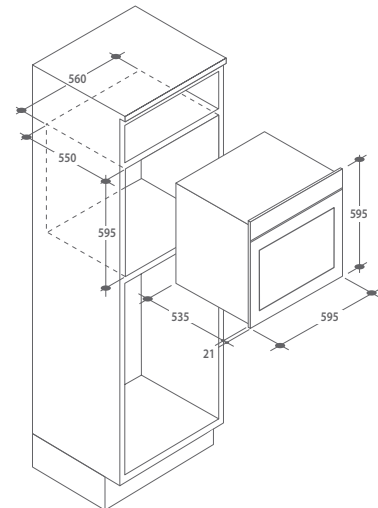
GAS OVEN / GAS GRILL - 4 FUNCTIONS

- Auto Ignition
 - 60' Minute Minder
 - Double Glass Door
 - Gas Grill
 - Turnspit
- 1 Grid, 1 Tray
 - Tangential Fan Cooling
 - Volume 65 Ltrs

PRODUCT CODE: 33701065
EAN CODE: 8016361858176



ENERGY CLASS



FLG 203/1 X

GAS OVEN / ELECTRIC GRILL - 5 FUNCTIONS

- Auto Ignition
 - 60' Minute Minder
 - Double Glass Door
 - Electric Grill
 - Turnspit
- 1 Grid, 1 Tray
 - Tangential Fan Cooling
 - Volume 65 Ltrs
 - Max Power: 1,4 kW

PRODUCT CODE: 33701057
EAN CODE: 8016361858039

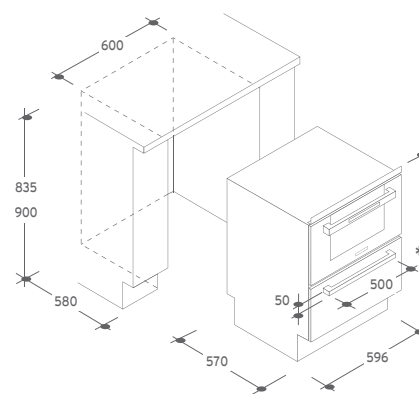
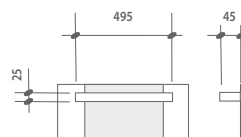
DUO 60CM



ENERGY CLASS

*Under TOP from 835 to 850mm: installation with spacer

Under TOP from 850 to 900mm: installation with stainless aesthetic profile



DUO 609 X

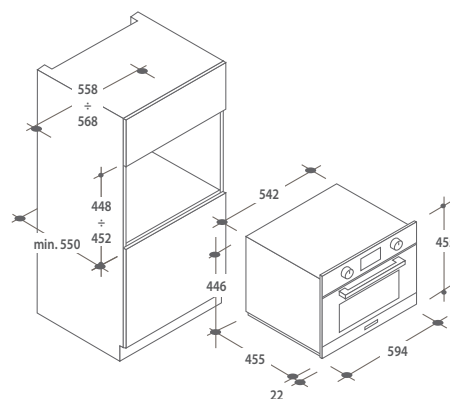
MULTIFUNCTION OVEN

- 6 Functions
- Touch control on oven handle
- Electric grill
- 1 Grids, 1 Tray, Pastry tray
- 39 Litres volume
- Total power 2,04 Kw

DISHWASHER

- 6 place settings
- 5 programs
- 5 washing temperatures
- Water consumption/cycle 9lt
- Energy class: A
- Washing class: A Drying class: A
- Electronic Program Selection
- ECO BIO 45° C Program
- Delicate Program
- 32' Rapid Program
- Energy consumption 0,75 kWh

PRODUCT CODE: 33700694
EAN CODE: 8016361793170



MIC 440 TX

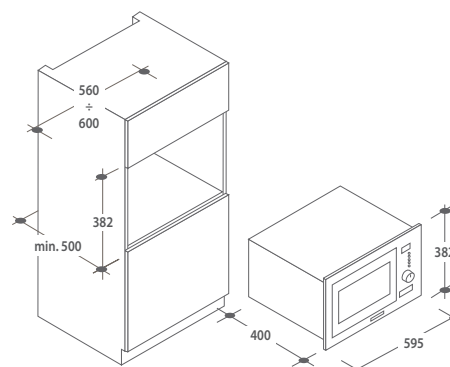
MICROWAVE OVEN BUILT-IN

- 5 power levels
- drop down door
- touch control + 2 knobs
- digital display with time
- 15 automenu
- 6 cooking style (microwaves, grill, multifunction, grill+microwaves, grill+multifunction, microwaves+multifunction, grill+microwaves+multifunction)
- grill rack
- inox cavity

PRODUCT CODE: 38000152

EAN CODE: 8016361823495

- auto defrost
- enameled turning plate 360mm
- 44lt capacity
- microwaves power 900W
- grill power 1,75kW
- convection power 1,75kW



MIC25GDFX-6

MICROWAVE OVEN BUILT-IN

- 5 power levels
- Electronic control
- Digital display with timer
- 10 automenu
- 3 cooking style (microwaves, grill, grill+microwaves)
- Grill rack
- Inox cavity

PRODUCT CODE: 38900085

EAN CODE: 8016361911031

- Auto defrost
- Glass turning plate 315mm
- 25lt capacity
- Microwaves power 900W
- Grill power 1,0kW
- Power Consumption 1.45 kW

PROGRAMS



SOFT COOK

Controls the distribution of humidity and temperature optimising cooking both in terms of aesthetic appeal and taste. Reduces the loss of moisture of food up to 50%, adding softness and aroma to it. This delicate type of cooking is particularly recommended for bread and pastry.



SPRINTER

The sprinter system accelerates pre-heating reducing the time required to reach the desired temperature. It means that the oven can reach an internal temperature of 200°C in less than 8 minutes.



SUPER GRILL

The twin heating elements increase the power of the grill by 50% compared with traditional multifunction ovens. This feature ensures perfect browning together with tastier and crispier food.



TRADITIONAL COOKING

Convection is controlled by the upper and lower heaters of the oven. This traditional baking method is ideal for chicken, haunches, biscuits, baked apples.



VENTILATED COOKING

The upper and lower heating elements operate with the assistance of a fan inside the oven. The use of the fan ensures heat distribution to the whole food surface area and is particularly suitable for poultry, fish, bread, etc.



VENTILATED COOKING WITH CIRCULAR HEATER

Ventilation is controlled by the rear round heater and the oven internal fan. Hot air is distributed among the trays of the oven. This is ideal for cooking different types of food at the same time (meat and fish without mixing tastes and aromas).



COOKING WITH LOWER HEATER

The use of the lower heater only, mainly in static ovens, lets you dry the lower part of food (generally savoury pies).



GRILL

This feature activates the infrared grill heater. It is particularly suitable for cooking medium thickness or thin meat (sausages or ribs).



VENTILATED COOKING WITH LOWER HEATER

This feature is particularly suitable for delicate food like sweets, cream puffs, cakes, soufflés, biscuits and pastry.



VENTILATED GRILL

Air that has been heated by the grill is sucked in by the fan that directs it to different foods at the desired temperature ranging from 50°C to 200°C. The ventilated grill offers an excellent alternative to the rotisserie and ensures extraordinary results with poultry, sausages and red meat, even when cooking large quantities.



ROTISSERIE AND GRILL

The combined use of the rotisserie and grill ensures perfectly browned, crispy food.



PIZZA

The enveloping heat of this feature creates the same cooking conditions as that found in the wood burning ovens that are traditionally used for cooking pizzas.



RAPID DEFROSTING

This is achieved through the intermittent operation of the upper and lower heaters and of the fan. The temperature is preset at 40°C and cannot be changed. This feature enables food to be defrosted quickly before cooking.



KEEPING 60°

This is achieved through the intermittent operation of the upper and lower heaters and of the fan. Temperature is preset at 60°C. This feature is ideal for keeping cooked food hot without burning it. It is very useful also for heating plates if food has to be served hot.

BUILT IN HOBS

WHEN DESIGN IS YOUR FOOD

Design and quality are the distinctive features of candy appliances. The extensive range of hobs is available in several different colors and finishes and will perfectly complement every kitchen style. All raw materials and components are chosen to provide the Best Performance Quality and Durability.

ELITE BURNERS

Thanks to a new generation burner, the vertical flame provides an enhanced even heat distribution and improves combustion efficiency.



QUADRUPLE BURNER

Burners with quadruple crown design are specifically made for large pans, because this particular design is able to distribute a uniform heat to larger surfaces.

ELECTRONIC IGNITION

Electronic ignition control is integrated into the control knobs. Simply push the knobs to ignite and twist to regulate gas emission. A single hand operation.



CAST IRON GRIDS

Cast iron is really important in the professional kitchen due to its unique characteristics. It guarantees better heat transmission, it's resistant to high temperature and is long lasting.

FULL SPACE HOBS

Stainless steel "Full space" pan supports are designed to provide a wide support surface. This unique design provides great security and excellent pan stability.



CANY HOBS

Candy hobs are available in an extensive range of colors and materials to provide the perfect match for every kitchen style. All raw materials and components are chosen to provide the best performance quality and durability.

STAINLESS STEEL HOBS

Stainless Steel hobs with their professional looks will suits all kitchen types. The reduced height of the streamlined hob is perfectly suited to a contemporary minimal kitchen design.



GAS ON GLASS HOBS

For people who love modern designs, the gas on glass hob provides a touch of elegance combined with great durability and a high level of performance. Tempered glass offers a unique resistance to scratches and abrasions making this product incredibly durable over time, while minimalist pan supports mean its extremely easy to clean.

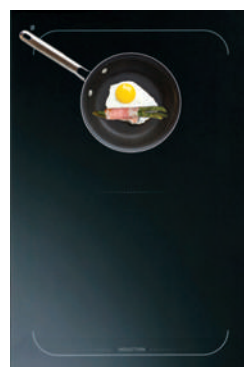
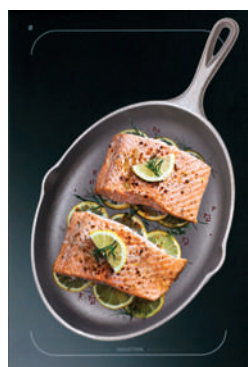
SAFETY

Sicurflame distribution, present in all Candy hobs, guarantees maximum protection should the flame be extinguished accidentally. When flame is extinguished the gas supply is cut off to avoid a gas leak risk.

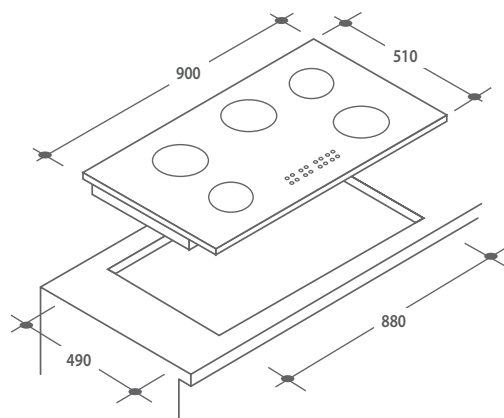


ADAPTIVA

Adaptiva induction zone technology has been developed to satisfy cooking creativity. It is now possible to have a huge single induction zone (400x230 mm) or two independent medium zones (200x115).



VITROCERAMIC 90CM



CH 95 CA

VITROCERAMIC HOB

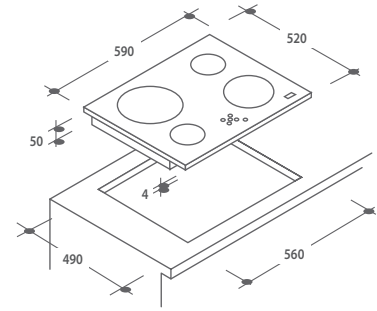
- Touch Control
- 5 Zones: High-Light:1 Zone Dim: 190mm (1,8 kW),
- 1 Double Zone Dim: 120 & 180mm
- (0,75 + 1,7 kW), 1 Zone estensibile Dim:
- 170x265mm (1,4 + 2,2 kW), 2 Zones Dim: 145mm (1,2 kW)
- Residual Heat Lights
- Digital Timer with End Cooking Timer
- Child Lock
- 9 Program Levels
- 6 Security Levels
- Max Power: 8,1 kW

PRODUCT CODE: 33801323
EAN CODE: 8016361880559

VITROCERAMIC 60CM



VITROCERAMIC



CH 64 X

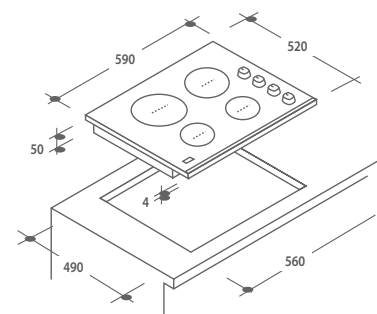
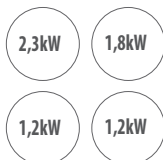
VITROCERAMIC HOB

- Touch Control
- Frontal Inox Frame
- 4 Zones: High-Light :
 - 1 Zone Dim: 220mm (2,3 kW),
 - 2 Zone Dim: 155mm (1,2kW),
 - 1 Zone Dim: 190mm (1,8 kW)
- 4 Residual Heat Lights
- Child Lock
- 9 Program Levels
- 6 Security Levels
- Max Power: 6,5 kW

PRODUCT CODE: 33801008
EAN CODE: 8016361827882



VITROCERAMIC



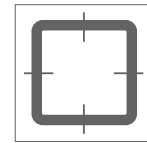
CH 64 MX

VITROCERAMIC HOB

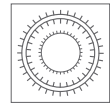
- 4 Zones: High-Light :
 - 1 Zone Dim: 220mm (2,3 kW),
 - 1 Zone Dim: 180mm (1,8 kW),
 - 2 Zone Dim: 155mm (1,2 kW)
- Residual Heat Lights
- 9 Program Levels
- 6 Security Levels
- Max Power: 6,5 kW

PRODUCT CODE: 33801007
EAN CODE: 8016361827875

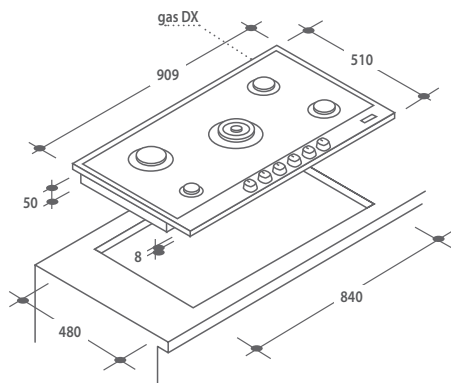
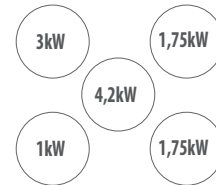
P LINE 90 CM



CAST IRON
GRID



TRIPLA
CORONA



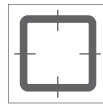
PG 952/1 S XGH

GAS HOB

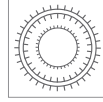
- 3 Cast Grids, Safety
- 1 Triple Burner
- Power Gas: 11,5 kW
- Failure Device - Safety

PRODUCT CODE: 33801149
EAN CODE: 8016361857964

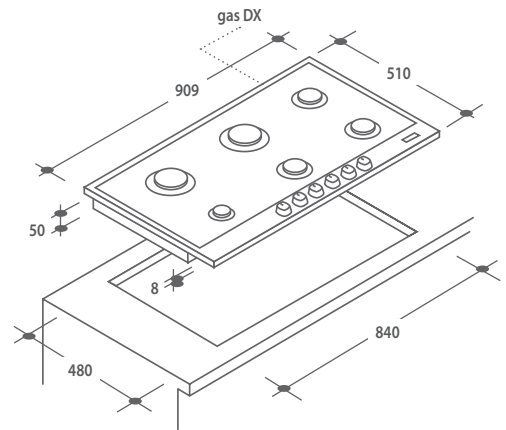
P LINE 90 CM



CAST IRON GRID



TRIPLA CORONA



3kW

3kW

1,75kW

1,1kW

1,75kW

1,75kW

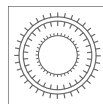
PG 960/1 S XGH

GAS HOB

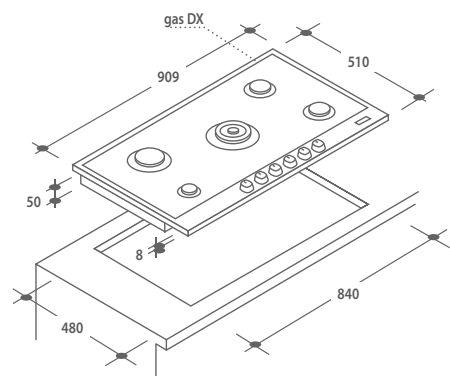
- 3 Cast Iron Grids
- Flame Failure Device - Safety
- Power Gas: 12 25 kW

PRODUCT CODE: 33801152
EAN CODE: 8016361858138

HOBBS



TRIPLA CORONA



3kW

1,75kW

3,8kW

1kW

1,75kW

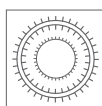
PG 953/1 SX

GAS HOB

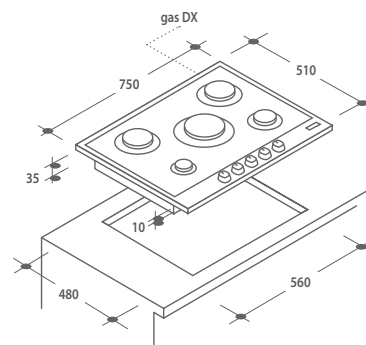
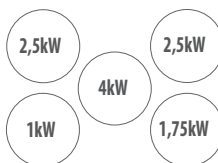
- 3 Enamelled Grids
- Flame Failure Device - Safety
- 1 Triple Burner
- Power Gas: 11,5 kW

PRODUCT CODE: 33801151
EAN CODE: 8016361857988

P LINE 75 CM



QUAD
BURNER

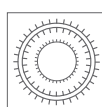


CPG 75 SQ GX

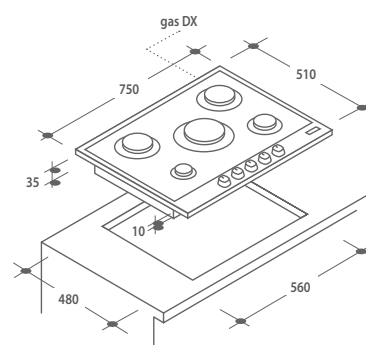
GAS HOB

- 3 Cast Iron Grids
- 1 Quad Burner
- Power Gas: 11,75 kW
- Fits in same 60 cm cutout
- Flame Failure Device - Safety

PRODUCT CODE: 33801228
EAN CODE: 8016361824423



QUAD
BURNER



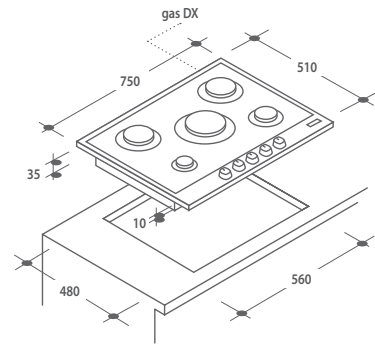
CPG 75 SQ PX

GAS HOB

- 3 Grids
- 1 Quad Burner
- Power Gas: 11,75 kW
- Fits in same 60 cm cutout
- Flame Failure Device - Safety

PRODUCT CODE: 33801218
EAN CODE: 8016361824522

P LINE 75 CM

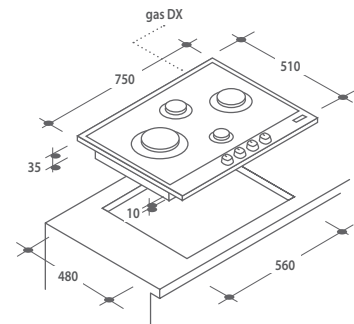
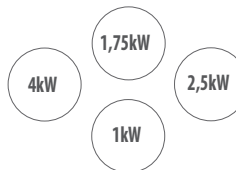
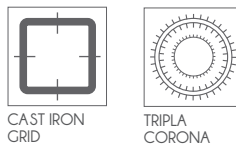


CPG 75 S PX

GAS HOB

- 3 Grids
- Power Gas: 11,25 kW
- Fits in same 60 cm cutout
- Flame Failure Device - Safety

PRODUCT CODE: 33801217
EAN CODE: 8016361824553



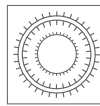
CPG 74 SQ GX

GAS HOB

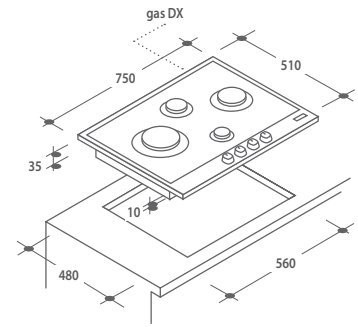
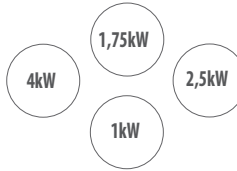
- 3 Cast Iron Grids
- 1 Quad Burner
- Power Gas: 9,25 kW
- Fits in same 60 cm cutout
- Flame Failure Device - Safety

PRODUCT CODE: 33801231
EAN CODE: 8016361824454

P LINE 75-60 CM



QUAD
BURNER

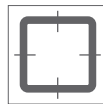


CPG 74 SQ PX

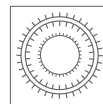
GAS HOB

- 3 Grids
- 1 Quad Burner
- Power Gas: 9,25 kW
- Fits in same 60 cm cutout
- Flame Failure Device - Safety

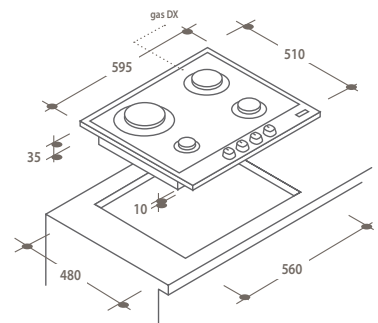
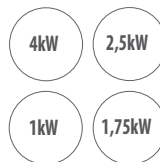
PRODUCT CODE: 33801220
EAN CODE: 8016361824430



CAST IRON
GRID



QUAD
BURNER

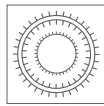


CPG 64 SQQXME

GAS HOB

- 2 Cast Iron Grids
- 1 Quad Burner
- Power Gas: 9,25 kW
- Flame Failure Device - Safety

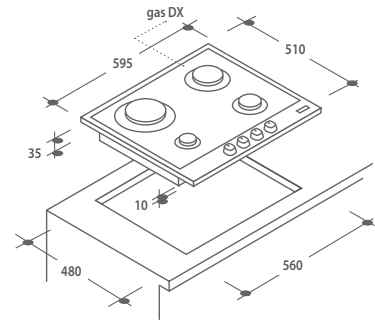
PRODUCT CODE: 33801511
EAN CODE: 8016361910997



QUAD
BURNER

4kW 2,5kW

1kW 1,75kW

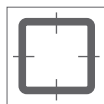


CPG 64 SQ PX

GAS HOB

- 2 Grids
- 1 Quad Burner
- Power Gas: 9,25 kW
- Flame Failure Device - Safety

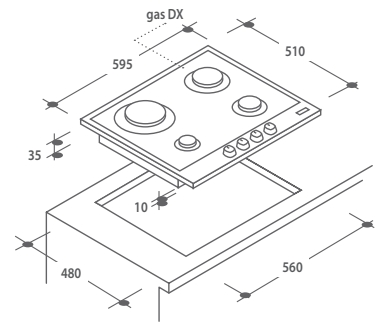
PRODUCT CODE: 33801219
EAN CODE: 8016361824546



CAST IRON
GRID

2,5kW 1,75kW

1kW 1,75kW



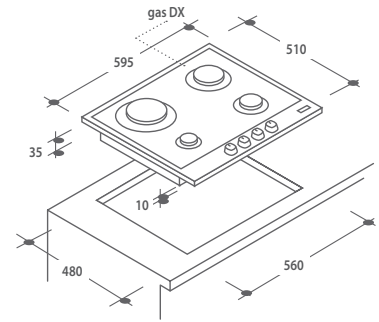
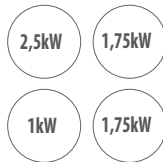
CPG 64 SGX

GAS HOB

- 2 Cast Iron Grids
- Power Gas: 8,75 kW
- Flame Failure Device - Safety

PRODUCT CODE: 33800952
EAN CODE: 8016361824492

P LINE 60 CM



CPG 64 S PX

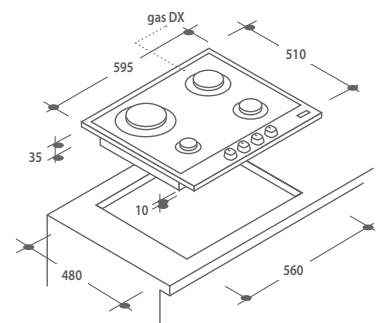
GAS HOB

- 2 Grids
- Power Gas: 7 kW
- Flame Failure Device - Safety

PRODUCT CODE: 33801206
EAN CODE: 8016361824539



CPG 64 S PB

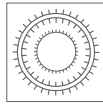


CPG 64 S PN

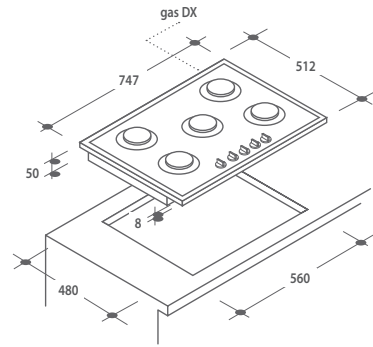
GAS HOB

- 2 Grids
- Power Gas: 7 kW
- Flame Failure Device - Safety

PRODUCT CODE: 33801211
 EAN CODE: 8016361824485
 PRODUCT CODE: 33801210
 EAN CODE:



QUAD
BURNER

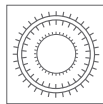


CVG 75 SQPB

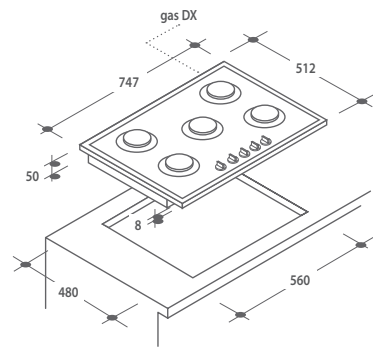
HOB IN WHITE CRYSTAL GLASS

- Crystal Hob Tempered Glass
- 5 Seperate Grids
- 1 Quad Burner
- Power Gas: 11,25 kW
- Fits in same 60 cm cutout
- Flame Failure Device - Safety

PRODUCT CODE: 33801256
EAN CODE: 8016361865228



QUAD
BURNER



CVG 75 SQGB

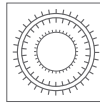
HOB IN WHITE CRYSTAL GLASS

- Crystal Hob Tempered Glass
- 5 Seperate Grids
- 1 Quad Burner
- Power Gas: 11,25 kW
- Fits in same 60 cm cutout
- Flame Failure Device - Safety

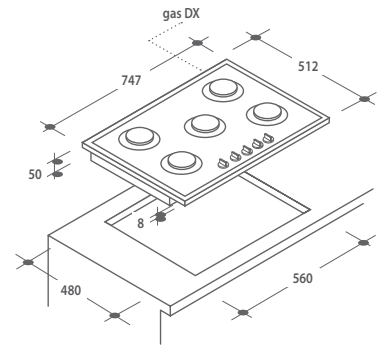
PRODUCT CODE: 33801439
EAN CODE: 8016361893740

FASHION 75 CM

GAS ON GLASS



QUAD
BURNER

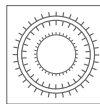
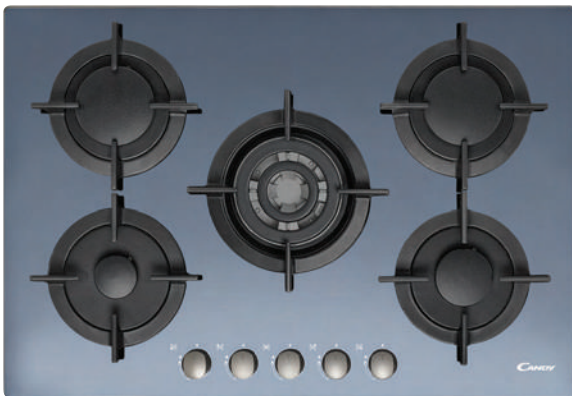


CVG 75 SQPX

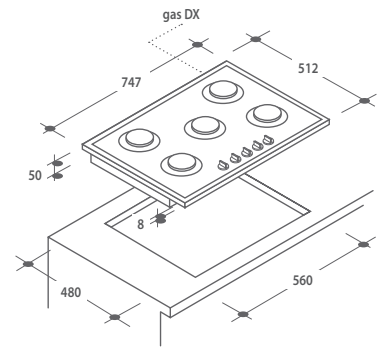
HOB IN MIRROR FINISH CRYSTAL GLASS

- Crystal Hob Tempered Glass
- 5 Seperate Grids
- 1 Quad Burner
- Power Gas: 11,25 kW
- Fits in same 60 cm cutout
- Flame Failure Device - Safety

PRODUCT CODE: 33801254
EAN CODE: 8016361865204



QUAD
BURNER

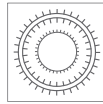
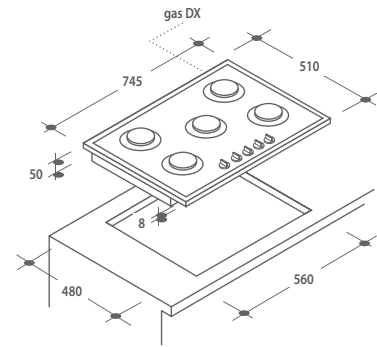


CVG 75 SQGX

HOB IN MIRROR FINISH CRYSTAL GLASS

- Crystal Hob Tempered Glass
- 5 Seperate Cast Iron Grids
- 1 Quad Burner
- Power Gas: 11,25 kW
- Fits in same 60 cm cutout
- Flame Failure Device - Safety

PRODUCT CODE: 33801441
EAN CODE: 8016361893757

QUAD
BURNER**CVG 75 SQPNX**

HOB IN BLACK CRYSTAL GLASS

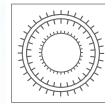
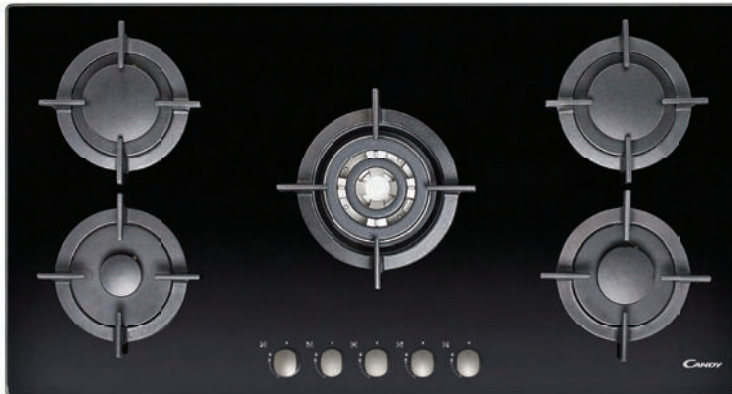
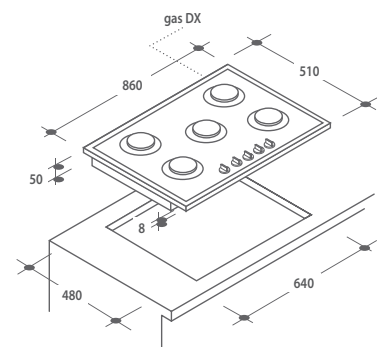
- Crystal Hob Tempered Glass
- 5 Seperate Grids
- 1 Quad Burner
- Power Gas: 11,25 kW
- Fits in same 60 cm cutout
- Flame Failure Device - Safety

CVG 75 SQPNX

PRODUCT CODE: 33801299
EAN CODE: 8016361873018

CVG 75 SQGNX - Cast Iron Grid

PRODUCT CODE: 33801436
EAN CODE: 8016361893702

QUAD
BURNER**CVG 95 SQGN**

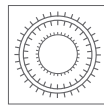
HOB IN BLACK CRYSTAL GLASS

- Crystal Hob Tempered Glass
- 5 Seperate Cast Iron Grids
- 1 Quad Burner
- Power Gas: 11,25 kW
- Fits in 64 cm cutout
- Flame Failure Device - Safety

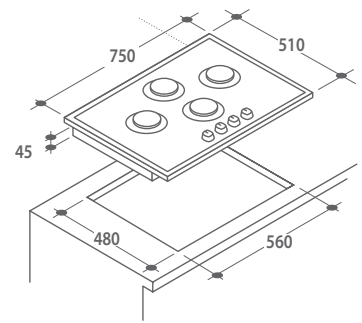
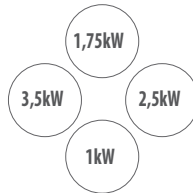
PRODUCT CODE: 33801462
EAN CODE: 8016361900578

FASHION 75 CM

GAS ON GLASS



QUAD
BURNER

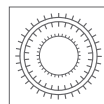


CVG 74 SQPNX

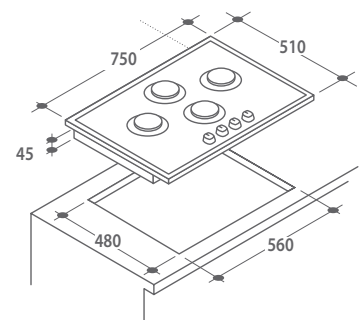
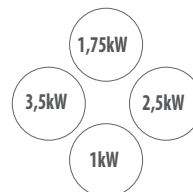
HOB IN BLACK CRYSTAL GLASS

- Crystal Hob Tempered Glass
- 4 Seperate Grids
- 1 Quad Burner
- Power Gas: 8,75 kW
- Flame Failure Device - Safety

PRODUCT CODE: 33801300
EAN CODE: 8016361873025



QUAD
BURNER

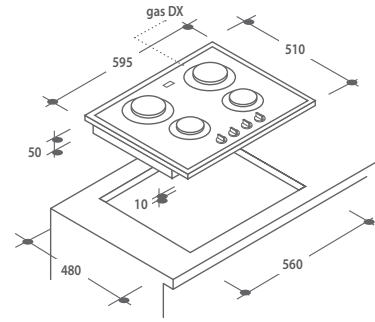
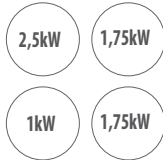


CVG 74 SQGNX

HOB IN BLACK CRYSTAL GLASS

- Crystal Hob Tempered Glass
- 4 Seperate Cast Iron Grids
- 1 Quad Burner
- Power Gas: 8,75 kW
- Flame Failure Device - Safety

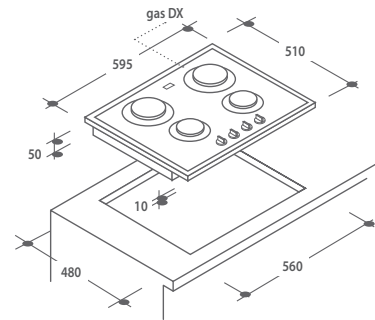
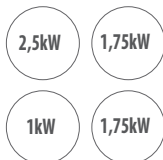
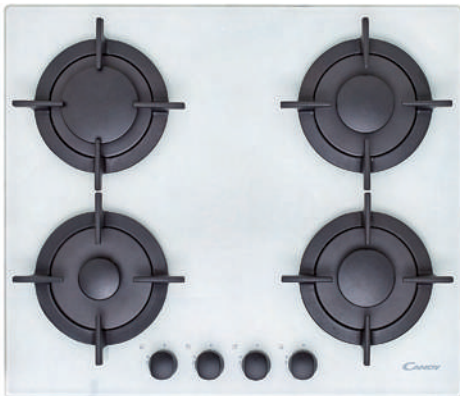
PRODUCT CODE: 33801437
EAN CODE: 8016361893719

**CVG 64 SPB**

HOB IN WHITE CRYSTAL GLASS

- Crystal Hob Tempered Glass
- 4 Seperate Grids
- Power Gas: 7 kW
- Flame Failure Device - Safety

PRODUCT CODE: 33801253
EAN CODE: 8016361865198

**CVG 64 SGB**

HOB IN WHITE CRYSTAL GLASS

- Crystal Hob Tempered Glass
- 4 Seperate Cast Iron Grids
- Power Gas: 7 kW
- Flame Failure Device - Safety

PRODUCT CODE: 33801438
EAN CODE: 8016361893726

FASHION 60 CM

GAS ON GLASS

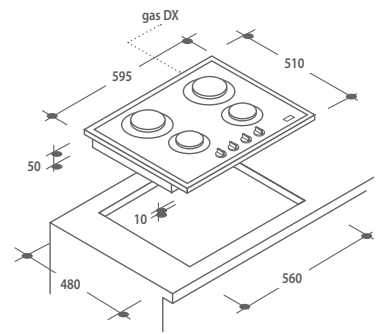


2,5kW

1,75kW

1kW

1,75kW



CVG 64 SPX

HOB IN MIRROR FINISH CRYSTAL GLASS

- Crystal Hob Tempered Glass
- 4 Seperate Grids
- Power Gas: 7 kW
- Flame Failure Device - Safety

PRODUCT CODE: 33801251
EAN CODE: 8016361865174

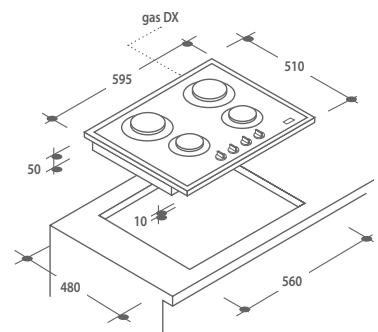


2,5kW

1,75kW

1kW

1,75kW

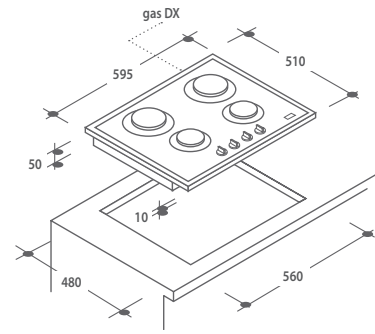
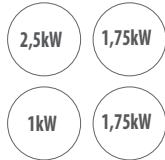


CVG 64 SGX

HOB IN MIRROR FINISH CRYSTAL GLASS

- Crystal Hob Tempered Glass
- 4 Seperate Cast Iron Grids
- Gas Power: 7 kW
- Flame Failure Device - Safety

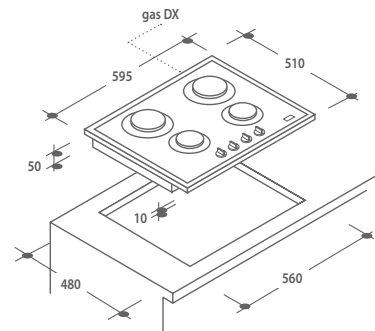
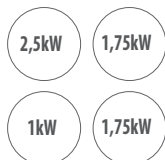
PRODUCT CODE: 33801440
EAN CODE: 8016361893740

**CVG 64 SPN**

HOB IN BLACK CRYSTAL GLASS

- Crystal Hob Tempered Glass
- 4 Seperate Grids
- Power Gas: 7 kW
- Flame Failure Device - Safety

PRODUCT CODE: 33801252
EAN CODE: 8016361865181

**CVG 64 SGNX**

HOB IN BLACK CRYSTAL GLASS

- Crystal Hob Tempered Glass
- 4 Seperate Cast Iron Grids
- Power Gas: 7 kW
- Flame Failure Device - Safety

PRODUCT CODE: 33801435
EAN CODE: 8016361893696

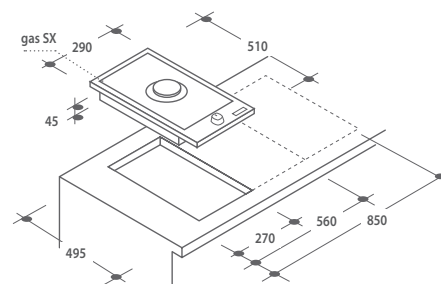


3,8kW

CDG 31/1 SPX

GAS HOB

- Triple Burner
- Gas Power: 3,5 kW
- Flame Failure Device - Safety



PRODUCT CODE: 33801133
EAN CODE: 8016361856820



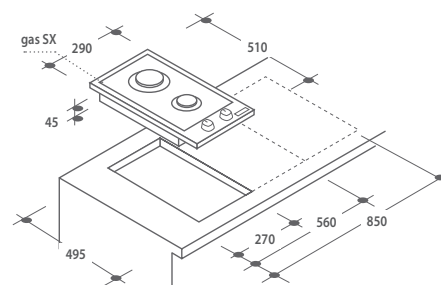
3,0kW

1,0kW

CDG 32/1 SPX

GAS HOB

- Gas Power: 4,0 kW
- Flame Failure Device - Safety



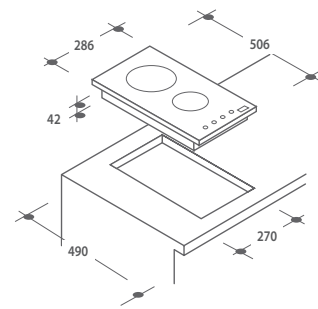
PRODUCT CODE: 33801134
EAN CODE: 8016361856837



HOB IN
VITROCERAMIC

1,7kW

1,2kW

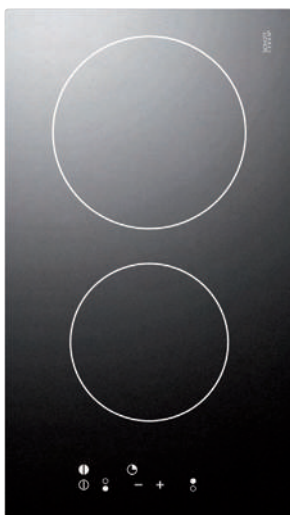


CDH 32/1 X

VITROCERAMIC

- Touch control 2 Highlight Zones:
Zone 1 Dim: 145mm (1,2 kW),
Zone 2 Dim: 180mm (1,7 kW)
- Residual Heat warning Light
- 9 Power Levels
- 6 Security Levels
- Max Power: 2,9 kW

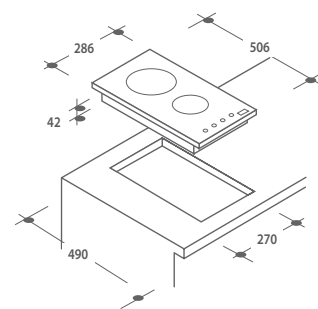
PRODUCT CODE: 33801127
EAN CODE: 8016361856769



HOB IN
VITROCERAMIC

1,7kW

1,2kW



CDH 32/1 C

VITROCERAMIC

- Touch control 2 Highlight Zones:
Zone 1 Dim: 145mm (1,2 kW),
Zone 2 Dim: 180mm (1,7 kW)
- Residual Heat warning Light
- 9 Power Levels
- 6 Security Levels

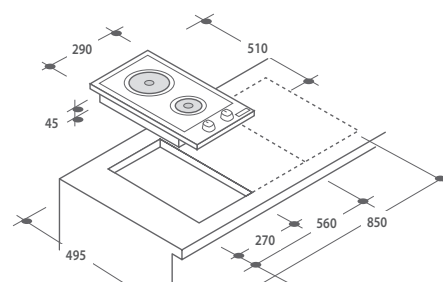
- Max Power: 2,9 kW

PRODUCT CODE: 33801128
EAN CODE: 8016361856776



1,5kW

1,5kW

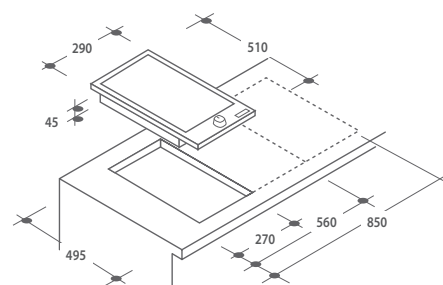


CDE 32/1 X

ELECTRIC HOB

- 2 Hot Plates: 1 HP dim: 145mm (1,5 kW),
1 HP dim: (1,5 kW)
- Max Power: 3,0 kW

PRODUCT CODE: 33801125
EAN CODE: 8016361856738

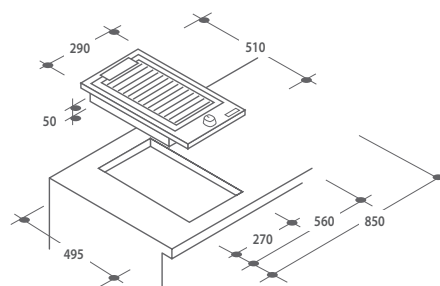
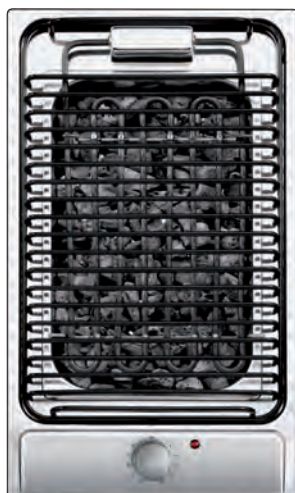


CDVG 30/1 X

GRILL

- Rectangular Electric Plate 250x400mm
- Adjustable Thermostat
- Max Power 1,5 kW

PRODUCT CODE: 33801132
EAN CODE: 8016361856813

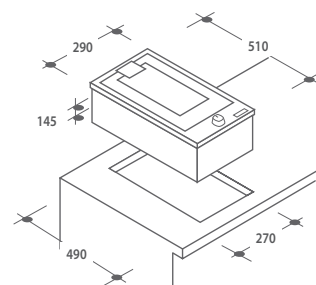


CDB 30/1 X

BARBECUE

- Rectangular Area 220x320mm
- Stainless Steel Tank with Lava Rocks
- Adjustable Thermostat
- Max Power: 2,4 kW

PRODUCT CODE: 33801130
EAN CODE: 8016361856790



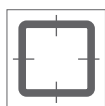
CDF 30/1 X

DEEP FRYER

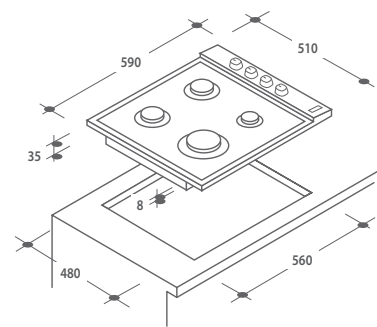
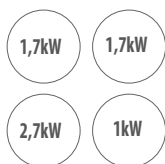
- Stainless Steel Pan and Basket
- Stainless Lid
- Adjustable Thermostat
- Max Power: 2,3 kW

PRODUCT CODE: 33801131
EAN CODE: 8016361856806

LATERAL 60CM



CAST IRON GRID

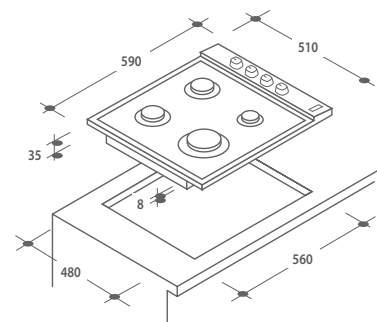
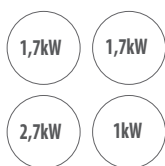


CLG 64 S GX

GAS HOB

- Cast Iron Grid
- Gas Power: 7,1 kW
- Stainless steel
- Flame Failure Device - Safety

PRODUCT CODE: 33800971
EAN CODE: 8016361824904



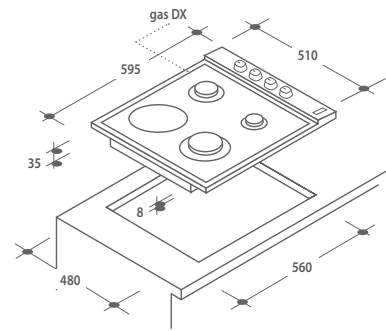
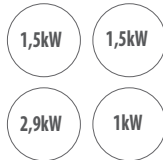
CLG 64 SPX

GAS HOB

- Enamel Grid
- Gas Power: 7,1 kW
- Flame Failure Device - Safety

PRODUCT CODE: 33800970
EAN CODE: 8016361824898

LATERAL 60CM



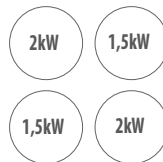
CLG 631 S PX

HOB MIXED GAS/ELECTRIC

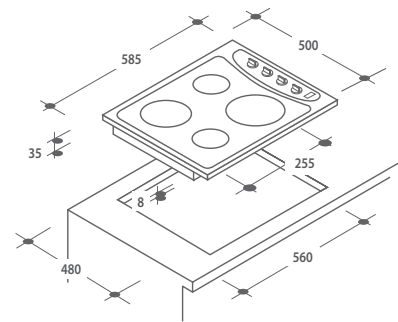
- Enamel Grid
- One Hot Plate Dim: 145 mm (1,5 kW)
- Gas Power: 6,9 kW
- Max Power: 1,5 kW
- Flame Failure Device - Safety

PRODUCT CODE: 33800963
EAN CODE: 8016361824829

HOB'S



PLE 64 W



PLE 64 X

ELECTRIC HOB

- 2 Hot Plates Dim: 145 mm (1,5 kW)
- 2 Hot Plates Dim: 180 mm (2,0 kW)
- Max Power: 7 kW

■ PRODUCT CODE: 33800724
EAN CODE: 8016361785359

□ PRODUCT CODE: 33800725
EAN CODE: 8016361785359

HOODS

FILTRATIONS

WHEN DESIGN IS FUNCTIONALITY



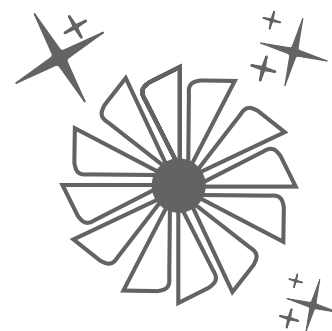
HOODS.

Nowadays hoods are not just functional items for removing stale air. They have become design elements in their own right. Candy have used its years of experience and expertise to create hoods that now combine high performance and functionality with modern fashionable design. Its hoods are therefore design elements that can transform your kitchen and make it both unique and elegant.

Candy presents innovative solutions to offer its customers even more comfort in their homes.

CLEAN AIR

This “intelligent” mode sets the hood in motion at the lowest speed for 10 minutes every hour. This ensures that air is constantly recycled without noise.

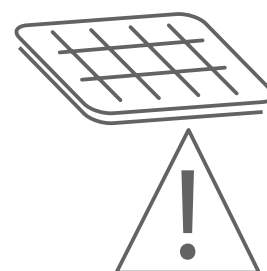


LED ILLUMINATION

LEDs last much longer than traditional lamps, use less energy and provide better light to the area below them

MAINTENANCE

A “clogged filter” warning light lets you know when filters need to be washed thus ensuring that your hood is always operating at its best.

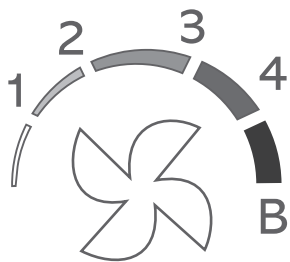
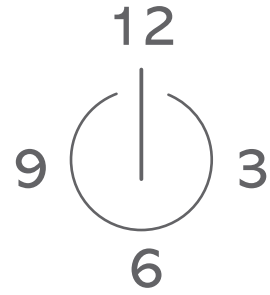


TOUCH CONTROL

Let you operate the hood with a “touch” system for fingertip control.

TIMER

The timer let you set the hood to switch itself off automatically, ensuring peace of mind and greater personal freedom.

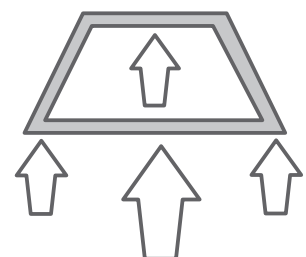


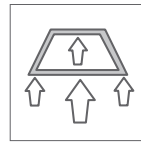
BOOSTER

This mode acts like a turbo to recycle the air in next to no time. Ideal for when you are frying or having a barbecue.

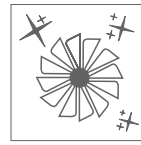
PERIMETRAL EXTRACTION

The perimetral filter provides effective air cleaning: fumes and vapors are ducted along the edge of the hood which slows them down for better filtering. This system also makes the hoods more elegant because as the filters are hidden from view, the hoods themselves can blend in better with their surroundings.

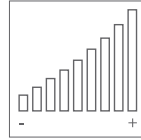




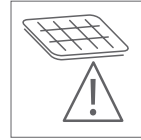
FILTER PERIMETRAL



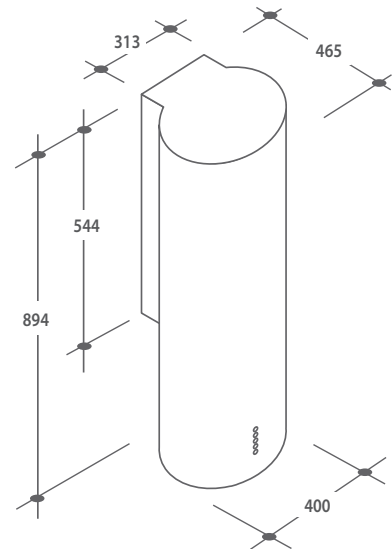
CLEAN AIR



BOOSTER



FILTER SATURATION INDICATOR

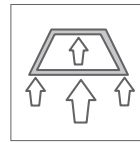


CDT 61 X

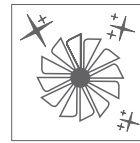
DECORATIVE HOODS 40CM

- Controls: Electronic with backlight
- Speed levels:4
- Air flow :740m³/h
- Antigrease filter: aluminum cassette
- Lights:2x20W Halogen
- Noise level:31dB
- Outlet diameter:150mm
- Motor power:250W
- perimetric aspiration , no return valve , reduction timer, air clean, filter saturation indicator

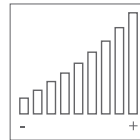
PRODUCT CODE: 36900226
EAN CODE: 8016361803558



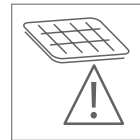
FILTER PERIMETRAL



CLEAN AIR



BOOSTER

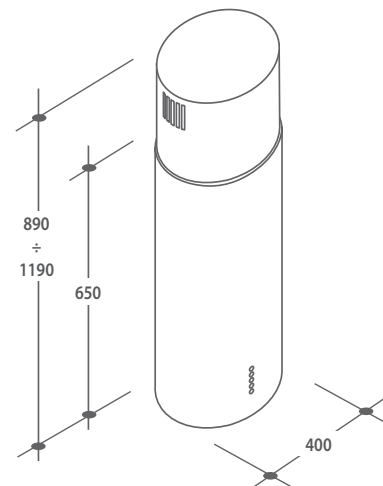


FILTER SATURATION INDICATOR

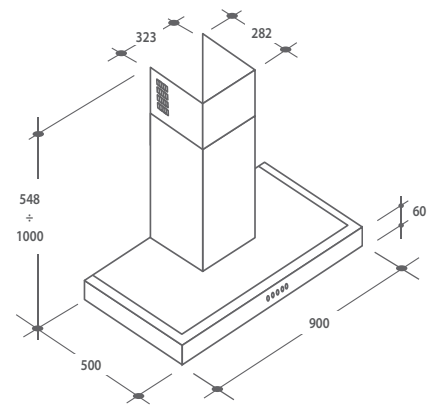
CIDT 61 X

DECORATIVE ISLAND HOODS 40CM

- Controls: Electronic with backlight
- Speed levels:4
- Air flow:740m³/h
- Antigrease filter: aluminum cassette
- Lights:2x20W Halogen
- Noise level:31dB
- Outlet diameter:150mm
- Motor power:250W
- perimetric aspiration , no return valve, reduction timer, air clean, filter saturation indicator



PRODUCT CODE: 36900227
EAN CODE: 8016361803565

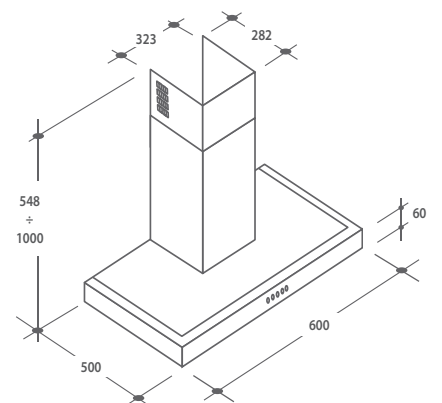


CMB 955X-6

DECORATIVE INOX CHIMNEY HOOD 90cm

- Controls: Electronic with backlight
- 3 Speed Level + Booster
- Air Flow 571 m³/h
- 3 Aluminium Filters
- 2x 1.5W LED lights
- Sound Level 60
- Outlet Diameter. 150 mm
- Motor Power: 210
- Charcoal Filters (FCR 17)

PRODUCT CODE: 36900749
EAN CODE: 8016361928398

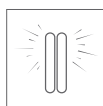


CMB 655X-6

DECORATIVE INOX CHIMNEY HOOD 60cm

- Controls: Electronic with backlight
- 3 Speed Level + Booster
- Air Flow 571 m³/h
- 2 Aluminium Filters
- 2x 1.5W LED lights
- Sound Level 60 dB(A)
- Outlet Diameter. 150 mm
- Motor Power: 210 W
- Charcoal Filters (FCR 17)

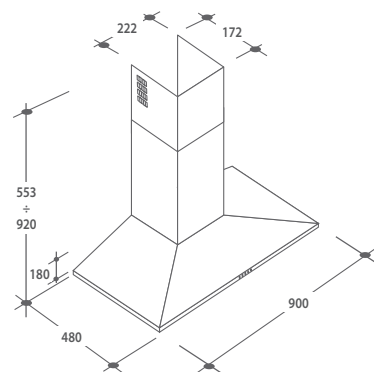
PRODUCT CODE: 36900748
EAN CODE: 8016361928381



HALOGEN LAMP



UP TO 3 ALUMINIUM PANEL GREASE FILTERS



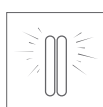
CCE 19/2 X-6

STANDARD CHIMNEY HOOD 90cm

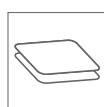
- Controls: Push Button
- 3 Speed Level
- Air Flow 290 m³/h
- 3 Aluminium Filters
- Halogen lamps 2x28 W

- Sound level 63 dB(A)
- Outlet Diameter 150 mm
- Motor Power 65W
- 2 Charcoal Filter

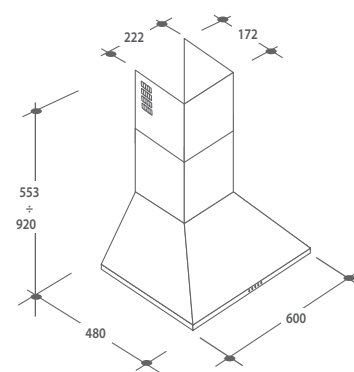
PRODUCT CODE: 36900745
EAN CODE: 8016361928350



HALOGEN LAMP



UP TO 2 ALUMINIUM PANEL GREASE FILTERS



CCE 16/2 X-6

STANDARD CHIMNEY HOOD 60cm

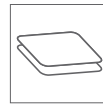
- Push Control
- 3 level Speed
- Air Flow 290 m³/h
- 2 Aluminium Filters
- Halogen lamps - 2x28 W

- Sound Level 63 dB(A)
- Outlet Diameter . 150 mm
- Motor Power: 65 W
- Charcoal Filters

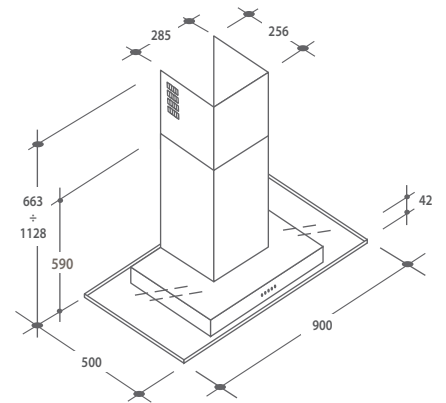
PRODUCT CODE: 36900744
EAN CODE: 8016361928343



LED LAMP



CASSETE FILTER



CVM 970 LX

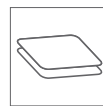
DECORATIVE GLASS CHIMNEY HOOD 90cm

- Controls: Electronic with back Light
- 3 Speed Levels
- Air Flow 750 m³/h
- Antigrease Alluminium Cassete Filters
- Led Lights 1,5 W
- Sound Level 60 dB(A)
- Outlet Diameter . 120 mm
- Motor Power: 210W
- Charcoal Filters

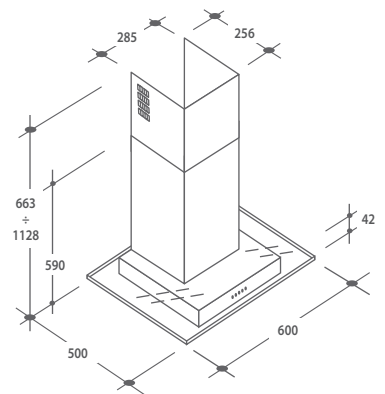
PRODUCT CODE: 36900355
EAN CODE: 8016361854833



LED LAMP



CASSETE FILTER

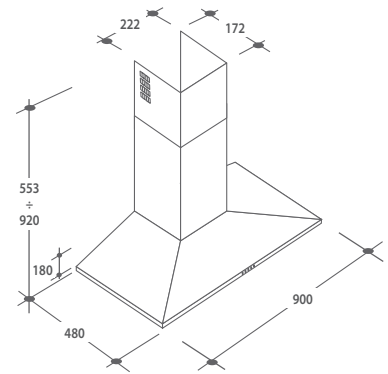
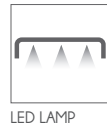


CVM 670 LX

DECORATIVE GLASS CHIMNEY HOOD 60cm

- Controls: Electronic with back Light
- 3 Speed Level
- Air Flow 750 m³/h
- Antigrease Alluminium Cassete Filters
- 2 Led Lamps 1,5 W
- Sound Level 60 dB(A)
- Outlet Diameter . 120 mm
- Motor Power: 210W
- Charcoal Filters

PRODUCT CODE: 36900354
EAN CODE: 8016361854826



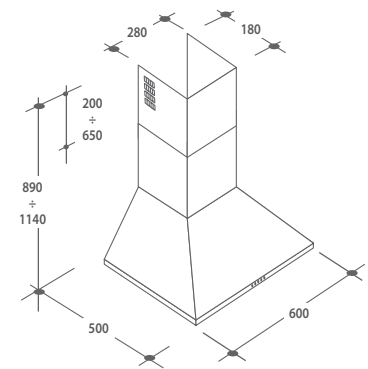
CCT 985/1X

CHIMNEY HOOD 90cm

- Controls: Push Button
- 3 Speed Levels
- Air Flow 625 m³/h
- Antigrease Aluminium Cassete Filters
- 2 Led Lights 1,5 W

- Sound Level 38 dB(A)
- Outlet Diameter . 150 mm
- Motor Power: 250W
- Charcoal Filters

PRODUCT CODE: 36900578
EAN CODE: 8016361899032



CCT 685/1X

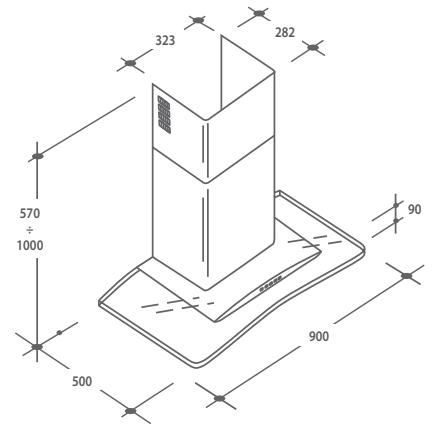
CCT 685/1N

CHIMNEY HOOD 60cm

- Controls: Push Button
- 3 Speed Levels
- Air Flow 625 m³/h
- Antigrease Aluminium Cassete Filters
- 2 Led Lights 1,5 W

- Sound Level 38 dB(A)
- Outlet Diameter . 150 mm
- Motor Power: 250W
- Charcoal Filters

■ PRODUCT CODE: 36900577
EAN CODE: 8016361899025
■ PRODUCT CODE: 36900575
EAN CODE: 8016361899001

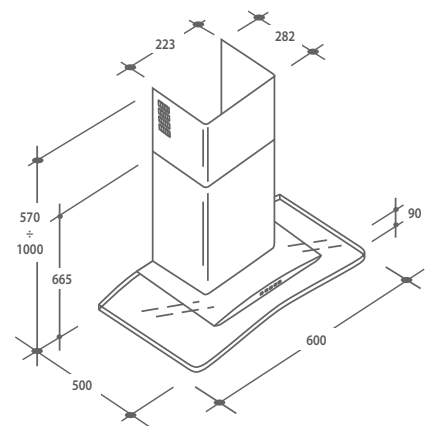


CGM 94 X-6

DECORATIVE GLASS/INOX CHIMNEY HOOD 90cm

- Push Buttons
- 3 Speed Levels
- Air Flow 435 m³/h
- Antigreese Alluminium cassette Filters
- 1x2W LED lights
- Sound Level 60 dB(A)
- Outlet Diameter 150 mm
- Motor Power: 100 W
- Charcoal Filter

PRODUCT CODE: 36900747
EAN CODE: 8016361928374

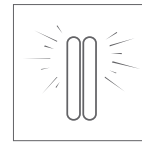


CGM 64 X-6

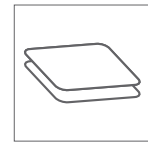
DECORATIVE GLASS/INOX CHIMNEY HOOD 60cm

- Push Buttons
- 3 Speed Levels
- Air Flow 435 m³/h
- Antigreese Alluminium cassette Filters
- 1x2W LED lights
- Sound Level 60 dB(A)
- Outlet Diameter 150 mm
- Motor Power: 100 W
- Charcoal Filter

PRODUCT CODE: 36900746
EAN CODE: 8016361928367



LED LAMPS



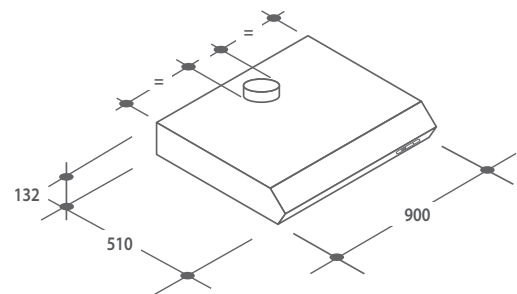
GREASE/
CHARCOAL FILTER



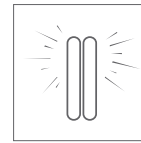
CFT 910/2S X

STANDARD HOOD 90cm

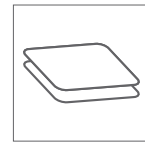
- Controls: slider
- Speed levels:3
- Air flow :185m³/h
- Antigrease filter:aluminum
- Lights:1x28W Halogen
- Noise level:62dB
- Outlet diameter:125mm
- Motor power:100W
- Carbon Filter mat



PRODUCT CODE: 36900399
EAN CODE: 8016361859029



LED LAMPS



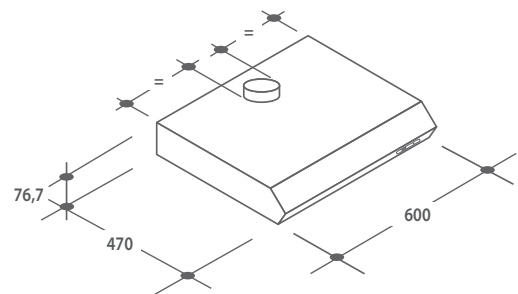
GREASE/
CHARCOAL FILTER



CFT 610/2 X

STANDARD HOOD 60cm

- Controls: slider
- Speed levels:3
- Air flow :125m³/h
- Antigrease filter:aluminum
- Lights:1x28W Halogen
- Noise level:62dB
- Outlet diameter:125mm
- Motor power:80W
- Carbon Filter mat



PRODUCT CODE: 36900397
EAN CODE: 8016361859005

ACCESSORIES



ACM 9

CARBON FILTER

USED FOR: 30506000
CSDH 9110

ACM 14

CARBON FILTER

USED FOR: 35900071
CCR 616/1 X, CBG 51 X

ACM 26

CARBON FILTER

USED FOR: 36000033
CIDT 61 X, CIDC 61 X, CDT 61 X, CDC 61 X

ACM 62

CARBON FILTER

USED FOR: 36000035
CE 61 X

FCR 17

CARBON FILTER

USED FOR: 35900124
CVM 970 LX, CVM 670 LX, CMB 950/1 X, CGM 91/1 X

AC CF 610/2

CARBON FILTER

USED FOR: 35900126
CFT 610/2X

BUILT IN FRIDGE

Maximum comfort
even for your food



DEAL TEMPERATURE CONTROL IN A COOL ENVIRONMENT.

Candy refrigerators combine design innovation and award winning features. The range has been reinvigorated by the introduction of the CANDY KRIÒ VITAL EVO: on the outside distinctive clean shapes in line with latest design trends for a timeless beauty; inside new smooth design balconies and a Technology that keeps food fresh, preserving flavors and texture for longer. Now even more spacious, the new maxi Refrigerator with the Freezer at the bottom, perfectly meets consumers' needs for more freezer space.

DOOR SHELVES

Allows effective storage of different sizes jars and boxes to create more space on the glass shelves and in the drawers. Now available in the bottom freezer range with the new soft and essential design.



GLASS SHELVES

The internal glass shelves are spill resistant and easy to clean.

METAL WINE RACK

The metal wine rack is a useful accessory and is the perfect combination of design and versatility in the refrigerator.



FRESH ZONE

Fresh zone is a special refrigerator compartment which keeps the food inside at a constant temperature between -2°C and 3°C , ideal for fish, meat and cheese preservation.

CRISPER WITH TELESCOPIC RAILS

The new transparent fruit and vegetable drawer is bigger and ergonomic thanks to the new handle and improved internal capacity. The presence of integrated telescopic rails in bottom freezers make the crisper's opening easier, more sliding and silent.



FREEZER COMPARTMENT

The freezer compartment, with the same aesthetic line of fridge area, ensures the maximum performance and reliability. Sturdy transparent freezer drawers guarantee perfect cooling conditions, while constantly maintaining the quality of food.



LED LIGHT

The attractive Led lights last 30 times longer than conventional lighting systems and consumes 10 times less energy than traditional light bulbs guaranteeing a longer life. The Led lighting system does not emit any heat but distributes a cold light which helps to maintain the flavour, taste and aroma of the food.

VENTILATION SYSTEM

The innovative top down ventilation system guarantees an optimal and heterogeneous temperature distribution within the refrigerator.



STATIC TECHNOLOGY

The static technology Krio Vital is perfect for food conservation. Thanks to the variable ventilation system it ensures a more even temperature distribution, for a improved freshness over an extended period of time.

NO FROST TECHNOLOGY

No Frost technology is an innovative system that prevents ice from forming in the freezer and provides optimum food storage conditions throughout the refrigerator. The advanced sensor system is intelligent and adaptive and automatically defrosts according to temperature, humidity index, and product usage: preventing ice formation in the freezer and frost in the refrigerator.



ENERGY CLASS

Care for the environment is at the heart of Candy technology; designed with the utmost respect for the world around us our products offer effective, efficient performance. The development of cutting-edge technology goes together with Candy's commitment to reduce the environmental impact of its products to meet consumer needs. Choose the Candy class A++ or A+ refrigerator to minimize energy consumption: up to 40% or 20% less energy than an equivalent model in A class! Care for the environment, great savings and maximum economy.



CLIMATE CLASS

The climate range is the temperature range in which the external refrigerator operates correctly. Refrigerators are classified according to the following climatic classes:

Extended temperature (SN): +10 ° C to +32 ° C

Temperate (N): from +16 ° C to +32 ° C

Subtropical (ST): from +18 ° C to +38 ° C

Tropical (T): +18 ° C to +43 ° C

FREEZER PERFORMANCE

Freezer performances are categorized into 4 classes:

* - Up to -6 ° C for the storage of frozen food within a short time

** - Up to -12 ° C for the storage of frozen food to be consumed within 1 month

*** - Up to -18 ° C for the storage of frozen food to be consumed within 1 year

**** - Over -18 ° C for the storage of frozen foods and frozen fresh food to be consumed within 1 year

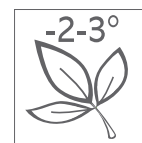


FRIDGE

Height 177 cm



A CLASS
ENERGY



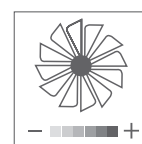
FRESH ZONE



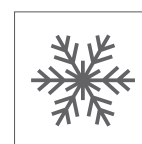
SKY LED



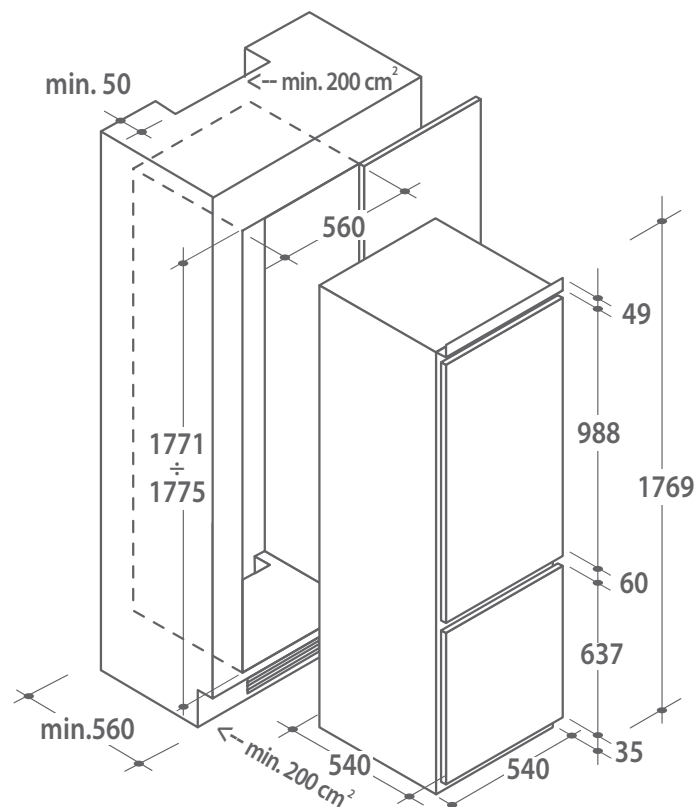
FREEZER
PERFORMANCE



AIR FAN



NO FROST



CKBBF 172-OS

FULLY INTEGRATED BUILT IN COMBI FRIDGE

- SKY LED lighting
- SKY Fan Air Control , NO FROST
- 3 removable glass shelves
- 3 door transparent shelves
- Chiller area 0°C to 3° C
- Metal bottle holder
- 1 transparent fruit & salad crisper
- Freezer with 3 glass shelves
- Adjustable thermostat
- Reversible doors
- Total gross capacity: 272l
- Net capacity: 244l
- Net freezer capacity: 54l
- Climatic class T, input power 100W

PRODUCT CODE: 34900433
EAN CODE: 8016361917583

BUILT IN DISHWASHER

More space for your life



PERFECT COMBINATION OF PERFORMANCE AND SPACE.

Our dishwasher is perfect for both young couples and singletons who live in apartments in big cities. Yet it is also the right choice for large families and workers whose time is precious. Nowadays flexibility is of increasing importance in daily life.

Candy understands these needs and has devised specific solutions to suit all requirements. By always taking the different needs of the consumer into account, Candy is able to offer a wide selection of models, ranging from 9 to 16 place settings. With top washing and energy performance engineered in every model created, Candy matches every single demand that modern life could make on the consumer. Smart solutions in terms of space, loading capacity, energy efficiency, developed by Candy for you and your home.

16 PLACES SETTINGS AND SMART BASKETS

16 place settings in two or three smart baskets:

Unique to Candy, creating the most spacious dishwasher available on the market. Up to 201 items of tableware (more than 40% additional capacity when compared to a traditional dishwasher) can be loaded and washed in just one cycle.



LOWER BASKET XXL

The absence of fixed racks and a structure that is 90% higher than a standard basket increases lower basket loadability.

Thanks to the innovative design, it is great for big plates and pans! Available with or without MAXI PLATES inserts, depending on the model.

UPPER BASKET

10% more space for glasses, cups, side plates and medium-sized containers, thanks to the combination of the patented inner door and the water tube solution. Even your flute glasses have their right support for careful washing and your long cutlery has a specific place on our dishwasher's bridge.

Furthermore, with the Easy-click system, the height of the upper basket can be adjusted even when fully loaded, ensuring maximum flexibility and space.



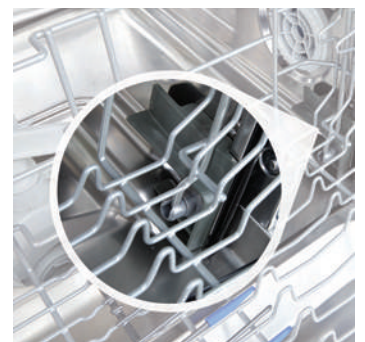
THIRD BASKET

With three depth levels, it is ideal for long cutlery items but also easily suitable for smaller objects, such as coffee cups, saucers and graters. Located centrally above the upper basket, it makes the loading of the tea cup supports easier.

LOWER BASKET SAFETY SYSTEM

The safest, accident-free washing for all your dishes

Patented safety system prevents spills and/or accidental falls of the lower basket, which can be loaded with up to 40kg. Especially useful for families with children.



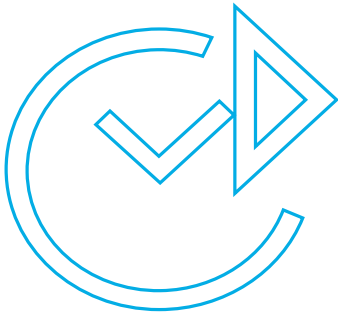
PROGRAMS

Depending upon the the model, it may have from 5 to 12 washing programmes suitable for cleaning any level of soiling . For models with the U.WASH cycle it offers a customised programme to suit all your cleaning requirements: U-wash + (TURBO mode): increases the pressure of water jets, the temperature and length of the washing cycle. Perfect for obtaining excellent performances even for heavily soiled cutlery and tableware.

U-wash - (ECO mode): reduces the length of the programme by almost half an hour. It is the ideal programme when dishes have just been used and for smaller loads.

Depending upon the model, it may be possible to set different options:

U•WASH



DELAY START:

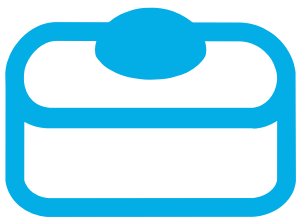
enables the programme to be delayed from 1 up to 23 hours in order to ensure maximum flexibility of use.

EXPRESS

The express option provides a saving of time and energy on average 25% (depending on the selected cycle) reducing the temperature of the washing and the drying time during the final rinse.



EXPRESS



ALL TABS

This option optimises the use of "All in one" combined detergents. By pressing this button, the selected wash programme is modified to get the best performance from combined detergents.

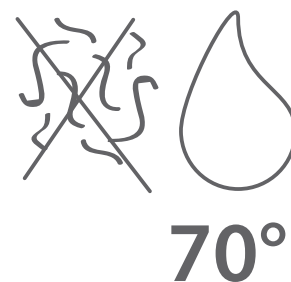
75°C

Thanks to its anti-bacterial and sanitizing action, the 75°C wash cycle eliminates 99,9% of bacteria (tested by BioLab). It is ideal for the whole family to wash and clean dishes and also children's items (baby bottle, cutlery...)



CLEANING DISHWASHER

A special cleaning and maintenance program for the dishwasher. Is recommended to remove limescale from the appliance. (Available on some models only)



PERFECT RAPID ZONE

With a Perfect Rapid zone, it is possible to ensure an excellent washing result even with a rapid programme! The left side of the tub is equipped by two extra washing arms, that are automatically activated during rapid programmes (RAPID 32' and A Class 1h) and U.WASH + programs (Hygienic, Universal Plus and Eco Plus). Tableware positioned in this zone can benefit from an extra 60% of water flow* during the washing cycle.

The wash intensity provided by the Perfect Rapid zone guarantee a best washing performance during rapid programmes and cleans even the most heavily soiled surfaces with an intensive washing cycle.

*Per minute

SMART SENSOR SYSTEM

Thanks to the Smart Sensor System, the dishwasher automatically adapts temperature and time depending on the level of soil detected: optimized washing performance and reduced water & energy consumption.



AUTO CLEANING FILTER

Candy's patented triple self-cleaning stainless steel filter has an internal micro-filter that traps even the smallest dirt particles, providing constantly clean water in all washing phases. Maximum washing performance and the best dishwasher maintenance guaranteed always.

OVERFLOW PROTECTION SYSTEMS

No floods with the Candy water control systems:

All Candy dishwashers have an anti-overflow safety device, as standard. If water exceeds normal levels due to any malfunction, it automatically blocks the water flow from entering and/or drains excess quantities of water. Candy offers three additional system to reinforce water safety: Total Water Block, AquaStop and Aqua Protect.



TOTAL WATER BLOCK

It is a fully automatic system.

The tray located at the base of the appliance collects any possible water leakage. There is a float on the base, which is fitted with a sensor capable of detecting the presence of water and stopping it, even if the tap is opened: it activates the discharge pump to remove the excess water from the tray.

AQUASTOP

A mechanical and visual system.

The leaking water fills the corrugated hose and activates a stop mechanism in the mechanical valve which cuts off the water supply to the machine.

This fault is shown by a red sector on the window of the valve.



AQUA PROTECT

A visual system.

The main tube is contained in a corrugated transparent hose. In case of problems, the leaking water fills the corrugated hose, which turns red.





DISHWASHER



16 SETTING



ENERGY CLASS



SILENT PLUS
44 DB(A)



WATER
CONSUMPTION

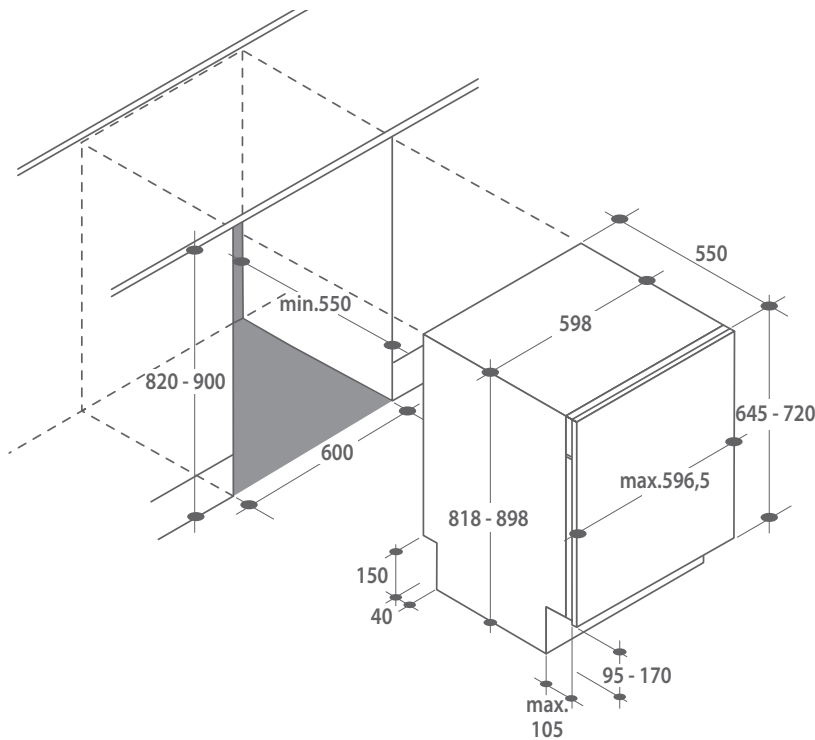


START DELAY



HYGIENE
BABY 75°C

NEW



CDIM 1D63-OS

DISHWASHER FULLY INTEGRATED 60 CM

- Energy Class A+
- Noise Level 44dB(A)
- 16 Place Settings
- Water Consumption: 10 litres
- Impulse Wash System
- Digital User Interface
- Start Delay 1~23 h
- 9 + Dishcare Programs

- Hygienic Program 75 °
- Rapid 24'
- Aqua Stop
- Maxi Plates
- Eco / Express option
- Easy-Click Adjustable Upper Basket
- Power consumption 2.1 kW

PRODUCT CODE: 32900580
EAN CODE: 8016361918894

BUILT IN WASHING

From the inventor of the modern washing machine, *the answer to contemporary needs*



MORE FLEXIBILITY FOR ALL YOUR NEEDS

Large loading capacity, clear information on time remaining and wide door opening: this is what people ask from an integrated washing machine. Candy knows it and has developed the right models to satisfy even the most demanding needs.

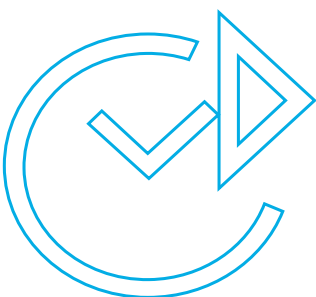
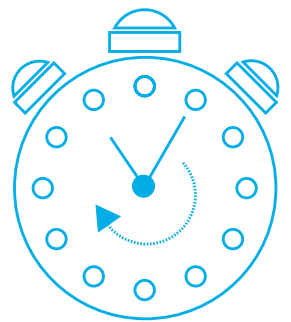
EcoMix 20°

ECOMIX 20°

This innovative wash programme allows you to achieve excellent results while washing different fabric types such as cottons, synthetics and mixed fabrics at a low temperature of 20 °C, without compromising performance. It is also possible to wash different colours, without the risk of colours running. An environmentally friendly programme: consumption is around 60% of a Cottons 40 °C program.

RAPID PROGRAMS 13/30/44/59 MINUTES

Do you need your wash done quickly but thoroughly? Our hectic modern lifestyles don't leave a lot of time for housework, which is why Candy washing machines allow you to choose between no fewer than four cycles that are less than an hour long yet 100% effective.

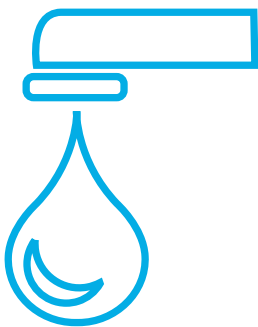


START DELAY - LAUNDRY TIME, EVERYWHERE YOU ARE

With a delay start the laundry will be ready just when you want it. It allows you to programme the start of the washing cycle with a maximum delay of 24 hours. NO more worries of unpleasant odours created by wet laundry that has been left inside the machine. No more wasting of the energy consumption, setting the laundry when the electricity is more convenient.

LEVEL OF SOILING - WASH AS YOU WISH

When it comes to wash cycles, one size doesn't fit all. Whatever your cleaning need might be, your Candy machine can take care of it. Simply select the most appropriate among the three levels to make sure that your clothes come out clean without wasting water or electricity.



AQUAPLUS

For everyone who has sensitive skin or allergic reactions. This option increases the amount of water used during the washing phase, and adds two rinses to the ones normally carried out, in order to remove even the last traces of detergent.

BIG CAPACITY IN STANDARD DIMENSION

With Candy washing machines and dryers you can wash up to 8kg of clothing, and dry up to 5 kg.



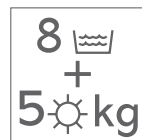
WASHING



ENERGY CLASS



WASHING EFFICIENCY



LOADING CAPACITY

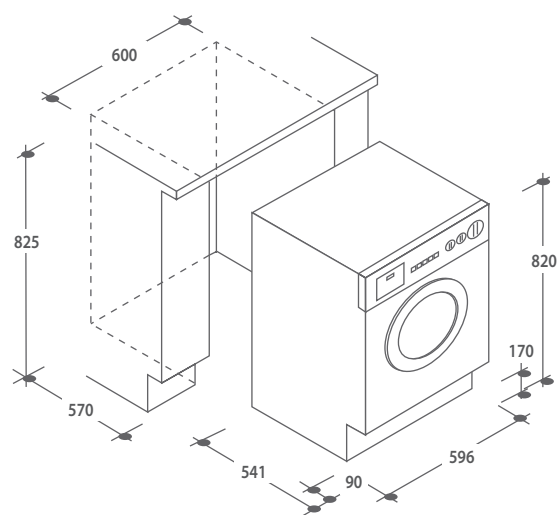


RPM

CDB 485 DN/1-S

FULLY INTEGRATED WASHER DRYER

- 16 programs
- Door opening: 30 cm
- Delay start: upto 24 h
- 8 Special programs
- Digital display
- S/steel drum
- Power consumption: 1.5k W
- Energy Class: A
- Washing Class: A
- Drying Class: A



PRODUCT CODE: 31800175
EAN CODE: 8016361868618

TECHNICAL TABLES

Front Loading			
Product Name	GV 159THC3-04	GV 137TC3-04	GV 1161D1/1-04
Product Code	31006284	31006283	31006282
Ean Code	8016361892958	8016361892941	8016361892934
Unpackaged Product Height	850	850	850
Unpackaged Product Width	600	600	600
Unpackaged Product Depth	600	520	520
Packaged Product Height	890	890	890
Packaged Product Width	650	650	650
Packaged Product Depth	650	560	560
Brand	Candy	Candy	Candy
Capacity Cotton (KG) - New (2010/30/EC)	9	7	6
Max Spin Speed Rpm	1500	1300	1100
Energy Efficiency Class - New (2010/30/EC)	A+++	A+++	A+
Spin Efficiency Class	A	B	C
Motor	Inverter	Digitally Controlled Motor	Digitally Controlled Motor
Noise Level Washing Energy Label Classification En 60704-4	51	60	58
Noise Level Spinning Energy Label Classification En 60704-3	80	79	76
End User Comfort			
Color Of The Body	White	White	White
Color/Material Door	Chromed	Chromed	White
Drum Material	Stainless Steel	Stainless Steel	Stainless Steel
Tub Material	Silitech	Silitech	Silitech
Door Width (CM)	35	35	35
Door Opening (°)	180	180	180
Hot & Cold Water Intake	No	No	No
Special Programs			
Programmes Number	16	16	16
Start Delay Option	Yes As Button (up to 24 H)	Yes As Button (up to 24 H)	Yes As Button (up to 24 H)
Skip Spin	Yes	Yes	Yes
Safeties			
Door Security	Yes	Yes	Yes
Water Protection System	Antioverflow	Antioverflow	Antioverflow
	Foam Control	Foam Control	Foam Control
New Energy Label			
Energy Consumption Annual (KWH/ANNUM) - New (2010/30/EC)	239	175	196
Energy Consumption 60° Full Load (KW) - New (2010/30/EC)	1,35	0,90	1,05
Energy Consumption 60° Partial Load (KW) - New (2010/30/EC)	0,97	0,75	0,79
Energy Consumption 40° Partial Load (KW) - New (2010/30/EC)	0,7	0,55	0,63
Average Washing Time Cotton 40C (Partial Load) - New (2010/30/EC)	130	140	130
Average Washing Time Cotton 60C (Full Load) - New (2010/30/EC)	210	190	165
Average Washing Time Cotton 60C (Partial Load) - New (2010/30/EC)	120	130	120
Water Consumption Annual (L/ANNUM) - New (2010/30/EC)	12900	9600	8900
Power Consumption Off - Mode And Left - On Mode	0,4/0,8	0,2-0,9	0,2-0,9
Gross Weight KG	75,5	71	71
Net Weight KG	73,5	69	69
Current A	10	10	10
Fuse Rating (A)	10	10	10
Max Absorbed Power (KW)	2400	1500	1500
Voltage V	220-240	220-240	220-240
Frequency (HZ)	60	60	60
Length Inlet Hose CM	150	150	150
Length Drain Hose CM	200	200	200
Length Electrical Supply Cord (CM)	160	160	160

Washer-Dryer	
Product Name	Gvw 586thc-04
Product Code	31006285
Ean Code	8016361892965
Built In/ Free Standing	Free-standing
Load Capacity	8
Drying Capacity	6
Spin Speed Rpm	1500
End User Comfort	
Start Delay Control	Yes As Button (Up to 24 H.)
Knob	Electronic Programme Control-Soft BI-DIR
Digital Countdown Indicator	Yes
Color / Material Body	White
Color / Material Door	Chromed
Door Width (Cm)	35
Door Opening (°)	180
Spin Speed Option	Variable
Buttons Type	Standard
Tube Material	
Drum Material	Stainless Steel
Silence	Super Silent
Leds - Door Security	Yes
Motor	Inverter
Hot & Cold Water Intake?	No
Moisture Monitoring System	Yes
Adjustable Feet	Yes
Safeties	
Door Security	Yes
Water Protection System	Antioverflow
	Foam Control
Electronic Spin Speed Management	
Electronic Balance Control	Yes
Programmes Number	15+1
Anti-crease Function	Yes as Program
Energy Label (Normative Cycle 60' Cotton)	
Energy Efficiency Class	A
Washing Performance Class	A
Spin Drying Performance Class	A
Energy Consumption (Wash Only) (Kwh)	1.17
Energy Consumption (Wash And Dry And Full Wash Load) Kwh	6.12
Packaged Product Height (Mm)	890
Packaged Product Width (Mm)	650
Packaged Product Depth (Mm)	650
Net Weight (Kg)	73
Gross Weight (Kg)	75
Connection Rating W	1800
Current A	10
Voltage (V)	220
Frequency (Hz)	60
Fuse Rating (A)	10
Max Absorbed Power Kw	1800
Plug Type	Uk
Inlet Hose Length Cm	150
Outlet Hose Length Cm	200
Length Electrical Supply Cord (Cm)	160

Tumble Dryer		
Product Name	GVC D101NB-OS	GVC 791NB-OS
Product Code	31100764	31100678
Ean Code	8016361916951	8016361892811
Built In/ Free Standing	Free - Standing	Free - Standing
Drying Capacity	10	9
Loading Type	Front	Front
Drying Type	Condensing	Condensing
Start Delay Option	Yes As Button (Up to 24 H.)	Yes As Button (Up to 24 H.)
Moisture Electronic Sensor	Yes	Yes
Knob	Electronic Programme Control-Soft BI-DIR	Electronic Programme Control-Soft BI-DIR
Cool Down Phase - Automatic	Yes	Yes
Anti Crease		
Temperature Numbers	2+1	2+1
Dryness Degree Selectable	Yes	Yes
Timed Drying - Special Small Loads	Yes	Yes
Adjustable Drying Temperature	Yes	Yes
Reverse Tumble Action	Yes	Yes
Xxl Door		
Drum Volume (L)	115	115
Drum Material	Galvanized	Galvanized
Water Container Position	Bottom	Bottom
Water Container Capacity (Litres)	5 Lt	5 Lt
Door Security	Yes	Yes
Adjustable Feet	Yes	Yes
Bull Eye	Glass Window	Glass Window
Door	Chrome	Chrome
Special Programs		
Programmes Number	18	18
Leds		
	Active Drying	Active Drying
	Cool Down	Cool Down
	Delicates	Delicates
	Full Water Container	Full Water Container
	Time To End	Time To End
	3/6/9 H Delay / Time to End	3/6/9 H Delay / Time to End
Energy Efficiency Class	B	B
Energy Consumption (Kwh/cycle)	5,70	5,20
Packaged Product Height (Mm)	900	900
Packaged Product Width (Mm)	650	650
Packaged Product Depth (Mm)	620	620
Net Weight (Kg)	33,7	35
Gross Weight (Kg)	35,2	37
Max Absorbed Power (Kw)	2,3	2,3
Voltage (V)	220-240	220-240
Hz	60	60
Electrical Cable Length (Cm)	150	150
Approvals Certificates		

	TYPE	FAN ASSISTED	FAN ASSISTED	MULTI	FAN ASSISTED
Product Info	Product Code	33701273	33701272	33700979	33701087
	Description	FXE 629 X	FXE 623 X	FXP 825 VX	FXP 609 X
	Old Code	-	-	-	-
	Old Description	-	-	-	-
	EAN	8016361878952	8016361878945	8016361837096	8016361859869
	Brand	Candy	Candy	Candy	Candy
	Colour	Inox	Inox	Inox	Inox
Energy	Energy Class	A	A	A	A
	KWh (natural convection)	0,93 kWh	0,93 kWh	0,93 kWh	0,93 kWh
	KWh (ventilated)	0,95 kWh	0,95 kWh	0,95 kWh	0,95 kWh
	Capacity	78	78	78	78
	Voltage (V)	220-240	220-240	220-240	220-240
	Total Power (W)	2100	2100	2250	2100
	(Hz)	50/60	50/60	50/60	50/60
	User Interface	Timer Touch	Mechanical 3 knobs	LCD display with encoder	Timer Touch
Platform	Type (Static, Fan, Fan Assisted, Multifunction)	Fan assisted	Fan assisted	Multifunction	Fan assisted
	External Ventilation Syst	Yes	Yes	Yes	Yes
	Cavity	Flat cavity	Flat cavity	Flat cavity	Flat cavity
	Internal Light	Lamp	Lamp	Use LED	Lamp
(F)	Number of Functions	9	9	10	8
	Functions	Lamp, Defrost, Bottom+Top+Fan, Grill+Fan, Bottom+Fan, Static (top+bottom), Grill, Pizza, Soft cook	Lamp, Defrost, Bottom+Top+Fan, Grill+Fan, Bottom+Fan, Static (top+bottom), Grill, Pizza, Soft cook	Bottom, Bottom+Fan, Static (Bottom+Top), Bottom+Top+Fan, Multifunction (Ring+Fan), Grill, Grill+Fan, Defrost, Keep Warm, Pizza	Lamp Defrost Bottom+Top+Fan Grill+Fan Bottom+Fan Static (top+bottom) Grill Pizza
CP	Control Panel	Inox	Inox	Inox	Inox
	Knobs	Elite Knobs	Chromed/Anodized	Therm.Inox Plan	Therm.Inox Plan
Door Type	Inner Door	Glass	Glass	Glass	Glass
	Outer Door	Mirror Glass	Mirror Glass	Transparent Glass	Transparent Glass
	Aesthetic	Elite	Elite	Pop	Pop
	Handle Type	Chromed/Anodized	Chromed/Anodized	Inox	Inox
	Hinges	SOFT CLOSE	SOFT CLOSE		SOFT CLOSE
Accessories	Caf. Panels				
	PRO Panels				
	Lateral Wire Grids	X	X	X	X
	Telescopic Guides	1			
	Turnspit				
	15 mm Tray (ND)				
	35 mm Tray	2	2	1	2
	50 mm Tray (ND)				
	Grids	1	2	2	2
	Grill Pan Set				
	Patisserie (Teflon tray)				
Plug	No Plug	No Plug	No Plug	No Plug	
Dim:	Product Dimensions (HxWxD)	595 x 595 x 568	595 x 595 x 568	595 x 595 x 568	595 x 595 x 568
	Niche Dimensions (HxWxD)	590 x 560 x 560	590 x 560 x 560	590 x 560 x 560	590 x 560 x 560

	TYPE	FAN ASSISTED	FAN ASSISTED	FAN ASSISTED	FAN ASSISTED	STATIC CATALYTIC
Product Info	Product Code	33701291	33701483	33701479	33701246	33701286
	Description	FVPE 729/6 X disp	FPE609A/6X	FPE602A/6X	FPE 502/6 X	FST 249/6 X
	EAN	8016361879133	8016361897762	8016361897724	8016361876675	8016361879089
	Brand	Candy	Candy	Candy	Candy	Candy
	Colour	Inox	Inox	Inox	Inox	Inox
Energy	Energy Class	A	A+	A+	A	A
	KWh (natural convection)	0.87	0.87	0.87	0.87	0.90
	KWh (ventilated)	0.80	0.67	0.67	0.80	-
	Capacity	69	65	65	65	65
	Total Power (W)	2100	2100	2100	2100	2100
	Voltage (V)	220-240	220-240	220-240	220-240	220-240
	(Hz)	50/60	50/60	50/60	50/60	50/60
	User Interface	Timer Touch	Timer Touch	3 Knobs Timer 60min	3 Knobs Timer 60min	Timer Touch
Platform	Type (Static, Fan, Fan Assisted, Multifunction)	Fan Assisted	Fan Assisted	Fan Assisted	Fan Assisted	Static
	External Ventilation Syst	Yes	Yes	Yes		Yes
	Cavity	Flat	Embossed	Embossed	Embossed	Embossed with catalytic panels
	Internal Light	U-SEE 14 leds	Lamp	Lamp	Lamp	Lamp
(F)	Number of Functions	8	8	8	5	5
	Functions	Lamp, Defrosting, Fan Assisted (Bottom+Top +Fan), Grill+Fan, Bottom+Fan, Static (Bottom+Top), Grill, Pizza	Lamp, Defrosting, Fan Assisted (Bottom+Top +Fan), Cook Light, Bottom+Fan, Static (Bottom+Top), Grill, Pizza	Lamp, Defrosting, Fan Assisted (Bottom+Top +Fan), Cook Light, Bottom+Fan, Static (Bottom+Top), Grill, Pizza	Lamp, Static (Bottom+Top), Grill, Grill+Fan, Fan Assisted (Bottom+Top+Fan)	Lamp, Static (Bottom+Top), Grill, Grill+Turnspit, Bottom+Top +Turnspit
CP	Control Panel	Inox panel antifinger	Inox panel antifinger	Inox panel antifinger	Inox panel antifinger	Inox panel standard
	Knobs	Therm.Inox Plan	Therm.Inox Plan	Therm.Inox Plan	Therm.Inox Plan	Therm.Inox Plan
Door Type	Inner Door	Standard 2 Glass	Standard 2 Glass	Standard 2 Glass	Standard 2 Glass	Standard 2 layers
	Outer Door	Transparent Glass	Transparent Glass	Transparent Glass	Transparent Glass	Mirror effect
	Aesthetic	Pop EVO	Pop EVO	Pop EVO	Pop EVO	Smart
	Handle Type	Inox Plan	Inox Plan	Inox Plan	Inox Plan	Inox Plan Light
	Hinges					
Accessories	Cat. Panels					X
	PRO Panels					
	Lateral Wire Grids	X				
	Telescopic Guides	X				
	Turnspit					X
	15 mm Tray	1				
	35 mm Tray	1	1	1	1	1
	50 mm Tray					
	Grids	1	2	2	2	1
	Grill Pan Set	U SEE DEMO MODE				
	Patisserie (Teflon tray)					
	Special Function	AQUACTIVA				
Plug	No Plug	No Plug	No Plug	No Plug	No Plug	
Dim:	Product Dimensions (HxWxD)	595 x 595 x 567	595 x 595 x 567	595 x 595 x 567	595 x 595 x 567	595 x 595 x 567
	Niche Dimensions (HxWxD)	585 x 560 x 560	585 x 560 x 560	585 x 560 x 560	585 x 560 x 560	585 x 560 x 560

	TYPE	GAS	MIXED	MULTI	MIXED
Product Info	New code	33701065	33701057	33701064	33701067
	New description	FPG202/1XG	FLG203/1X	FNP319/1X	FPG390/1X
	New EAN	8016361858176	8016361858039	8016361858107	8016361858282
	Colour	Inox	Inox	Inox	Inox
	Brand	Candy	Candy	Candy	Candy
	Cavity volume (ltr)	volume Net 55/volume gross 66	volume Net 55/volume gross 66	volume Net 84/volume gross 93	volume Net 84/volume gross 93
	Energy Class			A	-
	Total Power (W)	50	1200	3500	1800
	Voltage (V)	220-240	220-240	220-240	220-240
	(Hz)	50/60	50/60	50/60	50/60
User Interface	Electronic timer	-	-	-	-
	3 Knobs Minute Minder 60'	X	X	-	X
	3 Knobs End Cooking 120'	-	-	X	-
	Electronic 1 Display	-	-	-	-
Platform	Type (Static, Fan, Fan Assisted, Multifunction)	GAS	GAS - ELECTRIC GRILL	MULTIFUNCTION	MIXED
	External Ventilation Syst	X	X	X	X
	Cavity	embossed	embossed	Wire Grids	Wire Grids
	Platform (A Class Clean, Pirolytic)	-	-	-	-
	Internal Light	Lamp	Lamp	2 Lamps	2 Lamps
	N of functions	4	5	10	5
	List of functions	Lamp - gas - grill + gas - grill gas + turnspit	Lamp - grill - grill+turnspit - Gas - Gas + turnspit	Bottom - Static - Fan assisted - Multifunction - Grill - Maxi Grill - Grill + Fan Grill + Turnspit - Defrosting - Pizza	Lamp - grill - grill+turnspit - Gas - Gas + turnspit
CP Type	Control Panel	Inox	Inox	Inox	Inox
	Display	-	-	-	-
	Knobs	Inox color	Inox color	Inox color	Inox color
Door Type	Inner Door	2 glasses	2 glasses	3 glasses	2 glasses
	Outer Door	Transparent glass	Transparent glass	Transparent glass	Transparent glass
	Aesthetic	Pop	Pop	Pop	Pop
	Handle Type	Inox Plan	Inox Plan	Inox Plan	Inox Plan
Accessories	Cat. Panels	-	-	-	-
	Lateral Wire Grids	-	-	X	X
	Telescopic Guides	-	-	-	-
	Turnspit	X	X	X	X
	15 mm Tray	-	-	-	-
	40 mm Tray/ 30 mm Tray	0/1	0/1	2/0	2/0
	Grids	1	1	1	2

Product Info	Product Code	33700694	DUO
	Description	DUO 609 X	
	EAN	8016361793170	
	Colour	Inox	
	Brand	CANDY	
	EAN	8016361793170	
	TYPE	DUO	
Energy	Energy Class	A	Oven
	KWh (natural convection)	0,77	
	KWh (ventilated)	0,95	
	Cavity volume (ltr)	41	
	Energy consumption (W)	2100	
(Hz)	60		
UI	Handle Touch Control	X	
Platform	Type (Static, Fan, Fan Assisted, Multifunction)	Fan Assisted	
	Platform (A Class Clean, Pyrolytic)	ACC	
	Internal Light	Lamp	
(F)	N of functions	6	
	List of functions	Lamp, Bottom + Fan Static (Bottom+Top), Fan assisted (Bottom+Top+Fan) Grill Grill + Fan	
CP	Display	On the handle	
	Knobs	-	
Door Type	Inner Door	Short Glass 2 layers without Serigraphy	
	Outer Door	Stopsol	
	Handle Type	Inox + plastic Plan	
Accessories	Turnspit		
	35 mm Tray	X	
	Grids	1	
	Plaque a Patisserie	X	
	Plug Type	No Plug	
	Cable Length	1,5 m	
Technical data	N° of place settings	6	Dishwasher
	Electronic control	X	
	N° of programs	5	
	List of Programs	Intensive 75 °C Universal 65 °C Eco 45 °C Rapid 32 minutes 50 °C Cold rinse	
	N° of temperatures	4	
	Sound power dB (A) re 1 pw	56	
	Energy consumption (W)	2050	
	Energy consumption/cycle (kw/h)*	0.63	
	Water consumption/cycle (l)*	8	
	Yearly energy consumption (kw/h)**	196	
	Yearly water consumption (l)**	2240	
	Energy class	A	
	Washing class	A	
	Drying class	A	
	Product Dimensions (W x H x D)	596 x X x 570	
Nich Dimensions (W x H x D)	600 x 835-900 x 580		

Brand	Candy
Code	38000152
EAN	8016361823495
Description	MIC440TX
Oven Capacity (lt)	44LT
Microwave Output Power (W)	900W
Input Voltage/Hertz	220V/60Hz
Input Amps/Watts(Max)	16A 3350W
Grill upper type	Sheath
Grill upper power (W)	1750W
Grill bottom type	Sheath
Grill bottom power (W)	600W
Convection position	Rear
Convection Levels	1750W
Power Levels	5(microwave)
Auto menus	13
Electronic / mechanical	Electronic
Digital Clock	yes
Digital Timer	yes
Defrost	2
Glass/enamelled turntable	Enamel tray
Diameter (mm)	360
End Cooking Signal	yes
Child Safety Lock	yes
Interior Cavity	Stainless Steel
Control panel	Stainless steel
Width	594mm
Height	100mm
Display	Green LED
Type	Touch+Dial
Door	Glass+stainless steel
Width	594mm
Height	348.5mm
Appearance	Stainless stell+Glass
Open Type	Pull Down
Net Weight (kg)	35
Gross Weight (kg)	40
Product dimensions (WxHxD mm)	594*455*568
Product cavity (WxHxD mm)	420*250*420
Carton Box (WxHxD mm)	670*550*700

Brand	CANDY
Type	Frameless Built-in
Model	MIC25GDFX
Candy Code	38900033
Candy EAN code	8016361823440
Family	Built-in
Oven Capacity	25L
Built-in frame	none
Front Door Type	Push button open
Front exterior	RAL brushed steel 5%
Buttons & knobs color	Silver color
Glass Turntable	YES
Turntable Diameter	315mm
Door Release Button	YES
Metal Rack	YES
Grill Heater	YES
Fan cooling	1
Fan heating	NO
Roller Ring	YES
Door Safety Lock System	YES
Input Power (microwave) - Energy rating	1450W
Input Power (grill)	1000W
Output Power (microwave)	900W
Convection Power	NO
Electric Supply	220 V 60 Hz
Operation Frequency	2450 MHz
Oven Cavity dimensions (DxWxH)	369*330*208mm
Oven Outer dimensions (DxWxH)	440*594*388mm
Oven Cabinet Dimensions (DxWxH)	500*560*380mm
Frame dimensions (DxWxH)	20*594*388mm
Box dimensions (Combination package)	500*653*466mm
Oven Net Weight	Approx 17.10 kg
Oven gross weight	Approx 21.50kg

Code	33001180	33001181
Description	CCG9101SX	CCM9101SX
EAN	8016361859159	8016361859166
Color	Inox (Side panel will be new silver)	Inox (Side panel will be new silver)
Push-button ignition on hob	yes	yes
Flame Failure device on hob	yes	yes
Flame Failure device on oven	yes	no
Flame Failure device on grill	yes	no
Timer / Minute minder	minute miner	End of cooking timer
Plug	no	no
Energy cable	yes	yes
Total Gas Input	18,200 W	to be check
Total Electric Input	25W	3500 W
Voltage/Frequency	230V - 50 Hz / 60Hz)	230V - 50 Hz / 60Hz)
HOB	5 gas	4 gas + 2HP
Burner pos. 1 Front Right	Rapid 2,7 KW	Rapid 2,7 KW
Burner pos. 2 Rear Right	Auxiliary 1,0 KW	Auxiliary 1,0 KW
Burner pos. 3 Front Centr.	QC 4 KW	Ø145 1500W Rapid
Burner pos. 4 Rear Centr.		Ø180 2000W Rapid
Burner pos. 5 Front Left	Semi-rapid 1,7 KW	Semi-rapid 1,7 KW
Burner pos. 6 Rear Left	Rapid 2,7 KW	Rapid 2,7 KW
Pan supports	n.3 Cast Iron Grids	n.3 Cast Iron Grids
OVEN	gas	Electrical Static
Oven volume lt.	96 lt	96 lt
Cavity type	embossed	embossed
Bottom	gas - 3,8 KW	Electrical -1,6 KW
Grill	gas - 2,3 KW	Electrical -2,5 KW
Closed Door Grilling	yes	yes
Upper element+Grill	no	yes
Gas oven ignition	yes	yes
Function	gas static	Electrical Static
Thermostat	yes	yes separate
Oven and grill separated controls	yes	yes
Maximum temperature in the oven center °C	260	260
Cleaning System	enamel easy to clean	enamel easy to clean
Oven Door	Full glass	Full glass
Glasses	2	2
Oven light	1 - standard - 15W	1 - standard - 15W
Turnspit	yes	yes
Enamelled drip pan	1	1
Wire shelf	1	1
Chafing-dish compartment	Flip down	Flip down
Adjustable feet	yes cylindrical metallic color (90 cm height)	yes cylindrical metallic color (90 cm height)
PRODUCT (mm)		
Width	900	900
Depth	600	600
Height	850	850
PACKAGING (mm)		
Width	930	930
Depth	840	840
Height	880	880
WEIGHT (kg)		
Net	67	72
Gross	72	78

CODE	33001324	CEE 6620 W
DESCRIPTION	CCE5503W/1	33001049
EAN	8016361889118	8016361811522
Color	White	White
Timer / Minute minder	YES 90 MIN. ELECTRIC TIMER	
Voltage/Frequency	220/240 V- 50 Hz	220/240 V- 60 Hz
HOB		
TYPE	4E	4E
Burner pos. 1 Front Right	145 Ø - 1000 W THERMOPR	145 Ø - 1500 W Rapid
Burner pos. 2 Rear Right	180 Ø - 1500 W THERMOPR	180 Ø - 2000 W Rapid
Burner pos. 3 Front Centr.	-	-
Burner pos. 4 Rear Centr.	-	-
Burner pos. 5 Front Left	180 Ø - 1500 W THERMOPR	180 Ø - 2000 W Rapid
Burner pos. 6 Rear Left	145 Ø - 1000 W THERMOPR	145 Ø - 1500 W Rapid
Lid	Metal	Metal
OVEN		
TYPE	ELECTRIC	ELECTRIC
Oven volume lt.	40	54
KWh/KJ (natural convection)	0.76	
KWh/KJ (ventilated)	0.99	
Cavity type	Embossed	Embossed
Bottom	Electric - 1000W	Electric - 1000W
Grill	Electric - 800W Upper + 1000W Grill	Electric - 1000W Upper + 1500W Grill
Function	MULTIFUNCTION (FAN ASSISTED)	STATIC ELECTRIC 5+0 position (Lamp, Upper+Lower Res., Lower Res., Upper Res., Grill)
Programs	7+0**	NO
Efficiency class electric oven	A	A
Thermostat	YES (only in Lower+Upper Heater Position)	YES
Maximum temperature in the oven center °C	265 °C	265 °C
Cabinet Ventilation System	FAN ASSISTED (By separate button)	NO
Oven Door	FULL GLASS	Metal counter door
Glasses	2	2
Oven light	1 - standard - 15W	1 - standard - 15W
Enamelled drip pan	1 pcs 35 mm	1 - 35 mm + 1 - 50 mm
Wire shelf	1	1
Chafing-dish compartment	Flip-down	Flip-down
Adjustable feet	yes plastic	4 Plastic feet
Variable Height	850-865	850-865

Name	PG960/1SXGH	PG953/1X	PG952/1SXGH	CPG75SWGX	CPG75SWPX	CPG75SPX
Code	33801152	33801151	33801149	33801525	33801572	33801217
EAN	8016361858138	8016361857988	8016361857964	8016361916722	8016361921078	8016361824553
Color of Plate	Inox	Inox	Inox	Inox	Inox	Inox
Color of Knobs	Inox	Inox	Inox	Inox	Inox	Inox
Dimensions of the product (mm)	909x510x50	909x510x50	909x510x50	510 x 745 x 10	510 x 745 x 10	510 x 745 x 10
Dimensions of the niche (mm)	480x840	480x840	480x840	480 x 560 x 35	480 x 560 x 35	480 x 560 x 35
Security	YES	YES	YES	Yes	Yes	Yes
Type of Grids	cast iron	enamelled	cast iron	Cast Iron	Enamelled	Enamelled
Total Power	12,25 Kw	11 Kw	9,75 Kw	11.75	11.75	11.25
Number of Burners	6	5	5	5	5	5
Location of 1st Burner	Front Left	Front Left	Front Left	Front Left	Front Left	Front Left
Type	SR	SR	SR	AX	AX	AX
Size				50,8 mm	50,8 mm	50,8 mm
Power	1,75 kw	1,75 Kw	1,75 Kw	1 Kw	1 Kw	1 Kw
Location of 2nd Burner	Front Center	Front Right	Front Right	Front Right	Front Right	Front Right
Type	SR	AUX	AUX	SEMIRAPID	SEMIRAPID	SEMIRAPID
Size				75,4 mm	75,4 mm	75,4 mm
Power	1,75 kw	1 Kx	1 Kw	1,75	1,75	1,75
Location of 3rd Burner	Front Right	Back Right	Back Right	Back Right	Back Right	Back Right
Type	AUX	R	SR	RAPID	RAPID	RAPID
Size				101 mm	101 mm	101 mm
Power	1 kw	3 Kw	1,75 Kw	2,5 Kw	2,5 Kw	2,5 Kw
Location of 4th Burner	Back Left	Back Left	Back Left	Back Right	Back Right	Back Right
Type	R	SR	SR	RAPID	RAPID	RAPID
Size				101 mm	101 mm	101 mm
Power	3 Kw	1,75 Kw	1,75 Kw	2,5 Kw	2,5 Kw	2,5 Kw
Location of 5th Burner	Back Center	Center	Center	Center	Center	Center
Type	SR	3 Q	3 Q	WOK - DOUBLE CROWN	WOK - DOUBLE CROWN	ULTRARAPID
Size				123 mm	123 mm	111,8 mm
Power	1,75 Kw	3,5 Kw	3,5 Kw	4,0 Kw	4,0 Kw	3,5 Kw
Location of 6th Burner	Back Right					
Type	R					
Power	3 Kw					

Name	CVG75SQP B	CVG75SQGB	CVG75SQP X	CPG74SWGX	CPG74SWPX	CPG64SQGXME
Code	33801256	33801439	33801254	33801526	33801575	33801511
EAN	8016361865228	8016361893733	8016361865204	8016361916739	8016361921108	8016361910997
Color of Plate	White	White	Inox	Inox	Inox	Inox
Color of Knobs	White	Black + Silver (double set)	Inox	Inox	Inox	Inox
Dimensions of the product (mm)	510 x 595 x46	510 x 595 x46	510 x 595 x46	510 x 745 x 10	510 x 745 x 10	510 x 595 x10
Dimensions of the niche (mm)	480 x 560	480 x 560	480 x 560	480 x 560 x 35	480 x 560 x 35	480 x 560 x 35
Security	Yes	Yes	Yes	Yes	Yes	Yes
Type of Grids	Enamelled Mat	Cast Iron	Enamelled Mat	Cast Iron	Enamelled	Cast Iron
Total Power	11,25	11,25	11,25	9,25	9,25	9,25
Number of Burners	5	5	5	4	4	4
Location of 1st Burner	Front Left	Front Left	Front Left	Front	Front	Front Left
Type	AX	AX	AX	AX	AX	AX
Size	50,8 mm	50,8 mm	50,8 mm	50,8 mm	50,8 mm	50,8 mm
Power	1 Kw	1 Kw	1 Kw	1 Kw	1 Kw	1 Kw
Location of 2nd Burner	Front Right	Front Right	Front Right	Right	Right	Front Right
Type	SEMIRAPID	SEMIRAPID	SEMIRAPID	RAPID	RAPID	SEMIRAPID
Size	75,4 mm	75,4 mm	75,4 mm	101 mm	101 mm	75,4 mm
Power	1,75	1,75	1,75	2,5 Kw	2,5 Kw	1,75
Location of 3rd Burner	Back Right	Back Right	Back Right	Back	Back	Back Right
Type	RAPID	RAPID	RAPID	SEMIRAPID	SEMIRAPID	RAPID
Size	101 mm	101 mm	101 mm	75,4 mm	75,4 mm	101 mm
Power	2,5 Kw	2,5 Kw	2,5 Kw	1,75	1,75	2,5 Kw
Location of 4th Burner	Back Left	Back Left	Back Left	Left	Left	Back Left
Type	RAPID	RAPID	RAPID	WOK - DOUBLE CROWN	WOK - DOUBLE CROWN	4RINGS
Size	101 mm	101 mm	101 mm	123 mm	123 mm	134 mm
Power	2,5 Kw	2,5 Kw	2,5 Kw	4,0 Kw	4,0 Kw	4,0 Kw
Location of 5th Burner	Center	Center	Center			
Type	4RINGS	4RINGS	4RINGS			
Size	134 mm	134 mm	134 mm			
Power	3,5 Kw	3,5 Kw	3,5 Kw			

Name	CVG75SQGX	CVG75SWP NX	CVG 95 SQGN	CPG64SWPX	CPG64SGX LPG	CLG64SPX LPG
Code	33801441	33801582	33801462	33801569	33801510	33801509
EAN	8016361893757	8016361921177	8016361900578	8016361921047	8016361910980	8016361910973
Color of Plate	Inox	Black	Black	Inox	Inox	Inox
Color of Knobs	Silver	Silver	Inox	Inox	Inox	Black
Dimensions of the product (mm)	510 x 595 x46	510 x 750 x 45	510 x 860 x 45	510 x 595 x10	510 x 595 x10	510x585x13
Dimensions of the niche (mm)	480 x 560	480 x 560	480 x 640	480 x 560 x 35	480 x 560 x 35	480 x 560 x 40
Security	Yes	Yes	Yes	Yes	Yes	YES
Type of Grids	Cast Iron	Enamelled Shiny	Cast Iron	Enamelled	Cast Iron	Enameled
Total Power	11.25	11.75	11.35	9.25	7.0	7.1
Number of Burners	5	5	5	4	4	4
Location of 1st Burner	Front Left	Front Left	Front Left	Front Left	Front Left	Front Left
Type	AX	AX	AX	AX	AX	RAPID
	50,8 mm	50,8 mm	54.3	50,8 mm	50,8 mm	111Ø
Power	1 Kw	1 Kw	1 Kw	1 Kw	1 Kw	2.7
Location of 2nd Burner	Front Right	Front Right	Front Right	Front Right	Front Right	Front Right
Type	SEMIRAPID	SEMIRAPID	SEMIRAPID	SEMIRAPID	SEMIRAPID	AX
	75,4 mm	75,4 mm	74.3	75,4 mm	75,4 mm	66Ø
Power	1.75	1.75	1.75	1.75	1.8	1.0
Location of 3rd Burner	Back Right	Back Right	Back Left	Back Right	Back Right	Back Right
Type	RAPID	RAPID	RAPID	RAPID	SEMIRAPID	SEMI-RAPID
	101 mm	101 mm	99.7	101 mm	75,4 mm	86Ø
Power	2,5 Kw	2,5 Kw	2,5 Kw	2,5 Kw	1.75	1.7
Location of 4th Burner	Back Left	Back Right	Back Right	Back Left	Back Left	Back Left
Type	RAPID	RAPID	RAPID	WOK - DOUBLE CROWN	RAPID	SEMIRAPID
	101 mm	101 mm	99.7	123 mm	101 mm	86Ø
Power	2,5 Kw	2,5 Kw	2,5 Kw	4,0 Kw	2,5 Kw	1.7
Location of 5th Burner	Center	Center	Center			
Type	4RINGS	WOK - DOUBLE CROWN	4RINGS			
	134 mm	123mm	134 mm			
Power	3,5 Kw	4 Kw	3,6 Kw			

Name	CPG64SP N/B	CVG64SP B	CVG64SGB	CVG64SP X / N	CVG64SGX	CVG64SGNX
Code	33801211 / 33801210	33801253	33801438	33801251 / 2	33801440	33801435
EAN	8016361824485 / 8016361824478	8016361865198	8016361893726	8016361865174 / 8016361865181	8016361893740	8016361893696
Color of Plate	Black/White	White	White	Inox / Black	Inox	Black
Color of Knobs	Inox/ Black/ White	Black + Silver (double set)	Black + Silver (double set)	Silver	Silver	Silver
Dimensions of the product (mm)	510 x 595 x10	510 x 595 x46	510 x 595 x46	510 x 595 x46	510 x 595 x46	510 x 595 x46
Dimensions of the niche (mm)	480 x 560 x 35	480 x 560	480 x 560	480 x 560	480 x 560	480 x 560
Security	Yes	Yes	Yes	Yes	Yes	Yes
Type of Grids	Enamelled	Enamelled Shiny	Cast Iron	Enamelled Shiny	Cast Iron	Cast Iron
Total Power	7	7	7	7	7	7
Number of Burners	4	4	4	4	4	4
Location of 1st Burner	Front Left	Front Left	Front Left	Front Left	Front Left	Front Left
Type	AX	AX	AX	AX	AX	AX
	50,8 mm	50,8 mm	50,8 mm	50,8 mm	50,8 mm	50,8 mm
Power	1 Kw	1 Kw	1 Kw	1 Kw	1 Kw	1 Kw
Location of 2nd Burner	Front Right	Front Right	Front Right	Front Right	Front Right	Front Right
Type	SEMIRAPID	SEMIRAPID	SEMIRAPID	SEMIRAPID	SEMIRAPID	SEMIRAPID
	75,4 mm	75,4 mm	75,4 mm	75,4 mm	75,4 mm	75,4 mm
Power	1.75	1.75	1.75	1.75	1.75	1.75
Location of 3rd Burner	Back Right	Back Right	Back Right	Back Right	Back Right	Back Right
Type	SEMIRAPID	SEMIRAPID	SEMIRAPID	SEMIRAPID	SEMIRAPID	SEMIRAPID
	75,4 mm	75,4 mm	75,4 mm	75,4 mm	75,4 mm	75,4 mm
Power	1.75	1.75	1.75	1.75	1.75	1.75
Location of 4th Burner	Back Left	Back Left	Back Left	Back Left	Back Left	Back Left
Type	RAPID	RAPID	RAPID	RAPID	RAPID	RAPID
	101 mm	101 mm	101 mm	101 mm	101 mm	101 mm
Power	2,5 Kw	2,5 Kw	2,5 Kw	2,5 Kw	2,5 Kw	2,5 Kw

Name	CDG31/1SPX	CDG32/1SPX	CDE32/1X	CDH32/1X
Code	33801133	33801134	33801125	33801127
EAN	8016361856820	8016361856837	8016361856738	8016361856769
Description	1 gas triple flame	2 gas burners	2 electric plates	Vitroceraic w/knobs
Energy input	Gas + Electric	Gas + Electric	Electric	Electric
Electrical connection rating (kW)	0.6W		3.0 kW	2,9 kW
Power supply voltage (V)	230	230	230	230
Frequency (Hz)	50/60	50/60	50/60	50/60
Electrical cable	Lenght 1mt	Lenght 1mt	Lenght 1mt	Lenght 1mt
Plug type	not provided	not provided	not provided	not provided
Niche size for installation HxWxD (mm)	270 x 494 x 45	270 x 494 x 45	270 x 494 x 45	270 x 494 x 45
Hob color	Inox	Inox	Inox	Glass, black
Flame failure safety device	Yes, provided	Yes, provided	/	/
Burners ignition	Under-knob	Under-knob	/	/
Pan stands type	Enamelled	Enamelled	/	/
Residual heat light	/	/	Yes, provided	Yes, provided
Cooking timer	/	/	Not provided	Not provided
No. of cooking zones	1	2	2	2
1st cooking zone specification	Wok burner	Auxiliary burner	Rapid electric plate	Mono circuit vitroc. plate
1st cooking zone dimensions	Ø130 mm	Ø55 mm	Ø145 mm	Ø145 mm
1st cooking zone power	3.5kW	1.0kW	1.5kW	1.2 kW
2nd cooking zone location	/	rear	rear	rear
2nd cooking zone specification	/	Rapid burner	Normal electric plate	Mono circuit vitroc. plate
2nd cooking zone dimensions	/	Ø100 mm	Ø180 mm	Ø180 mm
2nd cooking zone power	/	3.0kW	1.5kW	1.7 kW
Total power of cooking zones	3.5kW	4.0kW	3.0 kW	2,9 kW
Net height-width-depth (mm)	288 x 510 x 45	290 x 510 x 40	288 x 510 x 45	288 x 510 x 45
Package height-width-depth (mm)	345 x 570 x 120	345 x 570 x 120	345 x 570 x 120	345 x 570 x 120
Netto weight (kg)	6.00	4.00	5.00	4.00
Gross weight, incl. package (kg)	7.00	5.00	6.00	5.00

Name	CDH32/1C	CDB30/1X	CDF30/1X	CDVG30/1X
Code	33801128	33801130	33801131	33801132
EAN	8016361856776	8016361856790	8016361856806	8016361856813
Description	Vitroc ceramic w/touch control	BBQ	Fryer	Grill
Energy input	Electric			
Electrical connection rating (kW)	2,9 kW	2.4kW	2.3 kW	1.5kW
Power supply voltage (V)	230	230	230	230
Frequency (Hz)	50/60	50/60	50/60	50/60
Electrical cable	Lenght 1mt	Lenght 1mt	Lenght 1mt	Lenght 1mt
Plug type	not provided	not provided	not provided	not provided
Niche size for installation HxWxD (mm)	268 x 490 x 39	270 x 494 x 50	270 x 494 x 155	270 x 494 x 45
Hob color	Glass, black	Inox	Inox	Glass/Inox
Flame failure safety device	/	/	/	/
Burners ignition	/	/	/	/
Pan stands type	/	Enamelled	/	/
Residual heat light	Yes, provided	Yes, provided	Yes, provided	Yes, provided
Cooking timer	Yes, provided	Not provided	Not provided	Not provided
No. of cooking zones	2	1	1	1
1st cooking zone specification	Mono circuit vitroc. plate	Barbecue	Fryer (2,0 - 2,7lt)	Vitroc ceramic grill
1st cooking zone dimensions	Ø145 mm	220x320 mm	300x150 mm	200x350 mm
1st cooking zone power	1.2 kW	2.4kW	2.3kW	1.5kW
2nd cooking zone location	rear	/	/	/
2nd cooking zone specification	Mono circuit vitroc. plate	/	/	/
2nd cooking zone dimensions	Ø180 mm	/	/	/
2nd cooking zone power	1.7 kW	/	/	/
Total power of cooking zones	2.9 kW	2.4kW	2.3 kW	1.5kW
Net height-width-depth (mm)	288 x 510 x 39	288 x 510 x 50	288 x 510 x 155	288 X 510 X 45
Package height-width-depth (mm)	345 x 570 x 120	345 x 570 x 120	370X570X235	345 x 570 x 120
Netto weight (kg)	3.80	6.00	7.50	3.80
Gross weight, incl. package (kg)	4.70	7.00	9.00	4.20

Name	CLG64SGX	CLG64SP X	CLG631SPX/N/B	PLE 64 X
Product Code (Candy internal)	33800971	33800970	33800963	33800724
EAN	8016361824904	8016361824898	8016361824829	8016361785359
Color of Plate	Inox	Inox	Inox	Inox
Color of Knobs	Silver	Black	Black	Black
Dimensions of the product (mm)	510X585X13	510X585X13	510X585X13	510 x 585 x 37
Dimensions of the niche (mm)	480 x 560 x 40	480 x 560 x 40	480 x 560 x 40	480 x 560 x 40
Security	YES	YES	YES	
Type of Grids	Cast Iron	Enameled	Enameled	
Total Power	7.1	963.0	6.9	8.2
Number of Burners	4	4	4	4 Hot Plates
Location of 1st Burner	Front Left	Front Left	Front Left	Front Left
Type	RAPID	RAPID	RAPID	Hot Plate
Size	111Ø	111Ø	111Ø	145 mm
Power	2.7	2.7	2.7	1.5
Location of 2nd Burner	Front Right	Front Right	Front Right	Front Right
Type	AX	AX	AX	Hot Plate
Size	66Ø	66Ø	66Ø	180 mm
Power	1.0	1.0	1.0	2
Location of 3rd Burner	Back Right	Back Right	Back Right	Back Right
Type	SEMI-RAPID	SEMI-RAPID	SEMI-RAPID	Hot Plate
Size	86Ø	86Ø	86Ø	145 mm
Power	1.7	1.7	1.7	1.5
Location of 4th Burner	Back Left	Back Left	Back Left	Back Left
Type	SEMI-RAPID	SEMI-RAPID	HOTPLATE	Hot Plate
Size	86Ø	86Ø	145 Ø	180 mm
Power	1.7	1.7	1.5	2

	DECOR	DECOR ISOLA	DECOR	DECOR	CHIMNEY 60
Name	CDT 61 X	CIDT 61 X	CMB955X-6	CMB655X-6	CCE16/2X-6
Code	36900226	36900227	36900749	36900748	36900744
EAN code	8016361803558	8016361803565	8016361928398	8016361928381	8016361928343
Dimensions (cm)	40cm	40cm	90cm	60cm	60cm
Finish/Color	STAINLESS STEEL	STAINLESS STEEL	STAINLESS STEEL	STAINLESS STEEL	STAINLESS STEEL
Voltage	220-240	220-240	220-240V	220-240V	220-230V
Frequency (Hz)	50/60	50/60	60	60	60
Motor (number x power)	250 W	250 W	1X210w	1X210w	1x65W
Lighting (number x power - type)	2 x 20 W halogen bulbs	2 x 20 W Halogen bulbs	2x1.5W Multi bulb LED light(LE01)	2x1.5W Multi bulb LED light(LE01)	2X28W Candle Halogen Lamp
Total power	290 W	290 W	213 W	213 W	121W
Controls	electronic push buttons	electronic buttons	Electronic button	Electronic button	mechanical push buttons
Speed levels	4	4	3 speeds+booster	3 speeds+booster	3
RU - Noise level (dB)	62	62	60	60	63
Min air flow in normal use QMIN (m3/h)	210	223	385	385	215.9
Max air flow in normal use QMAX (m3/h)	465	503	445	445	290.1
Air flow at intensive/boost setting QBOOST (m3/h)	538	608	571	571	no
Filters antigrease (number x type)	perimetral aspiration	perimetral aspiration	3 x aluminium	2 x aluminium	2 aluminium cassette
Carbon filters (code - description - pcs x pack)	ACM 26 - squared cartridge - 2 x pack	ACM 26 - squared cartridge - 2 x pack	FCR17 (2pcs x 1pack)	FCR17 (2pcs x 1pack)	FCR7 - 2pcsx1 pack
Carbon filters (included / optional)	optional	optional	Included	Included	Included
Timer (included / minutes)	included / 15 minutes	included / 15 minutes	no	no	no
Filter saturation	yes	yes	no	no	no
Special function (clean air)	yes	yes	no	no	no
Air deflector	no	no	no	no	no
No return valve	yes	yes	yes	yes	yes
Air outlet (mm)	150	150	150	150	150
Reduction (mm)	150 -120 mm	150-120 mm	120mm adaptor	120mm adaptor	120mm adaptor
Product dimensions	400	400	900x500x548-1000mm	600x500x548-1000mm	600*480*553 (920)
Packaging dimensions	1010x 600x 560	955x 865x 560	960x385x560mm	660x385x560mm	650*245*540mm
Net weight	20.8	22.9	12.4	11.7	6.3
Gross weight	23.62	29.1	15.4	14.5	7.8

	CHIMNEY 90	DECOR VETRO	DECOR VETRO	CHIMNEY 60	CHIMNEY 60
Name	CCE19/2X-6	CVM670LX	CVM970LX	CCT 685/1 X	CCT 685/1 W
Code	36900745	36900354	36900355	36900575	36900576
EAN code	8016361928350	8016361854826	8016361854833	8016361899001	8016361899018
Dimensions (cm)	90cm	60cm	90cm	60cm	60cm
Finish/Color	STAINLESS STEEL	STAINLESS STEEL + tempered flat glass	STAINLESS STEEL + tempered flat glass	STAINLESS STEEL	white
Voltage	220-230V	220-240	220-240	220-240	220-240
Frequency (Hz)	60	50/60	50/60	50/60	50/60
Motor (number x power)	1x65W	1x210w	1x210w	1x250W	1x250W
Lighting (number x power - type)	2X28WCandle Halogen Lamp	2x1,5w LED	2x1,5w LED	2x1 W - led	2x1 W - led
Total power	121W	213W	213W	252W	252W
Controls	mechanical push buttons	Electronic button with green back light	Electronic button with green back light	mechanical push buttons	mechanical push buttons
Speed levels	3	3	3	3	3
RU - Noise level (dB)	63	68	68	65	65
Min air flow in normal use QMIN (m3/h)	215.9	388.5	388.5	234	234
Max air flow in normal use QMAX (m3/h)	290.1	545	545	625	625
Air flow at intensive/boost setting QBOOST (m3/h)	no	no	no	-	-
Filters antigrease (number x type)	3 aluminium cassette	1 aluminium panel	1 aluminium panel	2 aluminium cassette	2 aluminium cassette
Carbon filters (code - description - pcs x pack)	FCR7 - 2pcsx1 pack	FCR17 - round 17cm - 2 x pack	FCR17 - round 17cm - 2 x pack	ACM 62 - rounded cartridge - 2 x pack	ACM 62 - rounded cartridge - 2 x pack
Carbon filters (included / optional)	Included	included	included	included	included
Timer (included / minutes)	no	no	no	no	no
Filter saturation	no	no	no	no	no
Special function (clean air)	no	no	no	no	no
Air deflector	no	no	no	yes	yes
No return valve	yes	yes	yes	yes	yes
Air outlet (mm)	150	120	120	150	150
Reduction (mm)	120mm adaptor	no	no	150/120 mm	150/120 mm
Product dimensions	900*480*553 (920)	600*500*526-1016	900*500*526-1016	600 x 490 x min 755 max 1100	600 x 490 x min 755 max 1100
Packaging dimensions	950*245*540mm	655*380*570	955*405*555	679x 373x 575	679x 373x 575
Net weight	8.3	13.2	15.6	9.2	9.2
Gross weight	9.8	15.2	18.2	11.6	11.6

	CHIMNEY 90	DECOR VETRO	DECOR VETRO	STANDARD	STANDARD
Name	CCT 985/1 X	CGM64X-6	CGM94X-6	CFT610/2X	CFT910/2SX
Code	36900578	36900746	36900747	36900397	36900399
EAN code	8016361899032	8016361928367	8016361928374	8016361859005	8016361859029
Dimensions (cm)	90cm	60cm	90cm	60cm	90cm
Finish/Color	STAINLESS STEEL	Stainless Steel & Tempered Clear Glass	Stainless Steel & Tempered Clear Glass	STAINLESS STEEL	SIML STAINLESS STEEL
Voltage	220-240	220-230V	220-230V	220-240	220-240
Frequency (Hz)	50/60	60	60	50/60	50/60
Motor (number x power)	1x250W	1x100W	1x100W	1 x 80 W	1 x 100 W
Lighting (number x power - type)	2x1 W - led	1X2W squared LED lamp	1X2W squared LED lamp	28W - Candle Halogen Lamp	2 x 28W - Candle Halogen Lamp
Total power	252W	102 W	102 W	108 W	156 W
Controls	mechanical push buttons	mechanical push buttons	mechanical push buttons	mechanical slider	mechanical slider
Speed levels	3	3	3	3	3
RU - Noise level (dB)	65	60	60	62	62
Min air flow in normal use QMIN (m3/h)	234	372	372	65	115
Max air flow in normal use QMAX (m3/h)	625	435	435	125	185
Air flow at intensive/boost setting QBOOST (m3/h)	-	/	/	/	/
Filters antigrease (number x type)	3 aluminium cassette	1 x aluminium	1 x aluminium	1 Aluminium panel	1 Aluminium panel
Carbon filters (code - description - pcs x pack)	ACM 62 - rounded cartridge - 2 x pack	New carbon filter	New carbon filter	AC CF 610/2	AC CF 62/2
Carbon filters (included / optional)	included	New carbon filter	New carbon filter	included	included
Timer (included / minutes)	no	no	no	no	no
Filter saturation	no	no	no	no	no
Air deflector	yes	no	no	no	no
No return valve	yes	Yes	Yes	no	no
Air outlet (mm)	150	150mm	150mm	125mm	125mm
Reduction (mm)	150/120 mm	120mm adaptor	120mm adaptor	/	/
Product dimensions	900 x 490 x min 755 max 1100	600x500x560-1040mm	900x500x560-1040mm	600x76,7x470	898x132x510
Packaging dimensions	979x 373x 575	640x383x540mm	940x383x540mm	650x125x530	950X183X570
Net weight	10.1	10	13	4.45	6.85
Gross weight	13.2	12	15	5.25	7.69

B/I WASHING , REF.

Name	CDB 485DN/1-S
Product Code	31800175
EAN Code	8016361868618
Built in/ Free Standing	Built-in Washer Dryer
Load Capacity	8
Drying Capacity	5
Spin Speed RPM	1400
Start Delay Control	Yes As Button (Up TO 23 H.)
Knob	Electronic Programme Control-Soft Bidir
Digital Countdown Indicator	Yes
Color / Material Body	White
Color / Material Door	White
Door Width (CM)	30
Door Opening (°)	180
Spin Speed Option	Variable
Buttons Type	Soft Touch
Tub Material	Silitech
Drum Material	Inox
Removable Top	No
Leds - Door Security	Yes
Motor	Digitally Controlled Motor
Hot & Cold Water Intake?	No
Adjustable Feet	Yes
Door Security	Yes
Water Protection System	Antioverflow Foam Control
Electronic Spin Speed Management	Yes
Electronic Balance Control	Yes
Programmes Number	16
Energy Label (Normative Cycle 60°)	
Energy Efficiency Class	A
Washing Performance Class	A
Spin Drying Performance Class	A
Energy Consumption (Wash Only) (Kwh)	1.20
Energy Consumption (Wash And Dry And Full Wash Load) Kwh	5.44
Water Consumption (Wash and Dry and Full Wash Load) (L)	115
Packaged Product Height (MM)	890
Packaged Product Width (MM)	650
Packaged Product Depth (MM)	600
Net Weight (KG)	68
Gross Weight (KG)	70
Current A	10
Voltage (V)	220
Frequency (HZ)	60
Max Absorbed Power KW	1500

Name	CKBBF 172-OS
CODE	34900433
EAN	8016361917583
Type	Built In
Handle (External / Metal / Integrated)	Integrated
Available colours	white
Basic features	
Energy efficiency class	A+
Climate class	T
Freezer compartment star rating	4 STARS
Energy consumption / year	277
Gross capacity	250
Net capacity	240
Net capacity fridge compartment	190
Net capacity freezer compartment	50
Max noise level	43
Kind of coolant (R134a/R600a)	R600a
Defrosting	Automatic
Control system	Electronic
NO FROST - (Fridge/Freezer)	YES
ELECTRONIC	LED (on sky LED)
SKY FAN	YES
kit lysteria	YES
Temperature range (from>to)	0~10/ <-18°C
Alarm door (acustic)	YES
Unit dimensions with-out handle (H/W/D)	177X54X54
Depth with open door	105.7
Net weight	62.5
Voltage / frequency	220V/60Hz
Input power / mains fuse (intensity)	100
Number/type of shelves	2+1+1, FULL TRANSPARENT GLASS
Bottle rack	YES
Crisper	1
*Chiller area (0 to 3 °C)	YES
Reversible door	YES
Plug	UK
Lenght of cable/incl. plug	180 mm
Packing dimensions (H / W / D)	184X57.3X57.3
Height of niche	1771-1775
Width of niche	560
Depth of niche	550
Gross weight	68.20
40 ' HC Container load	80

Name	CDIM 1D63-OS
Code	32900580
Ean	8016361918894
FS/BI	Built-in
Structure	CM 60
Aesthetics	Full Integr.
User Interface	Digit
Energy Class	A+
Noise Level (DBA)	44
Place Settings	16 P.S.
Adjustable Upper Basket System	Easy-click
N. Programs	9+dishcare
Eco / Expres Option	Yes
All in 1 Option	Yes
Start Delay (H)	1-23
Salt Indicator	Yes
Colour	Black
Maxi Plates	Yes
Energy Consumption (KWH/ANNUM)	299
Water Consumption (L/ANNUM)	2880
Water Consumption	10
Aquastop	Yes
Basket Colour	Metal Grey
Basket Accessories Colour	Metal Grey
Plug Type	UK
Packing Dimensions (H / W / D)	890x 665 X 625
Height of Niche	820~900
Width of Niche	600
Depth of Niche	550
Gross Weight	40.00
40 ' HC Container Load	170

CANDY

Service

Candy knows how important it is to offer to an effective and qualified service. For this reason Candy Service manages an extensive network of 8 Authorized Service Agents all over the country. Constant and direct training, associated with genuine spare parts supply, guarantees an effective and top quality service to customers.

Besides competence and trustworthiness, Candy Service can also offer: Extended Warranties, professional products for home appliances care and maintenance and accessories recommended by official service network.

Thanks to years of professionalism, Candy Service can provide proper answers to its own customers.

Candy Service: Count on us.

Customer Service Candy



920 015 511

www.alessasvc.com



CANDY

www.candy.ae



Alessa العيسا

SINCE 1935

www.alessa.com.sa